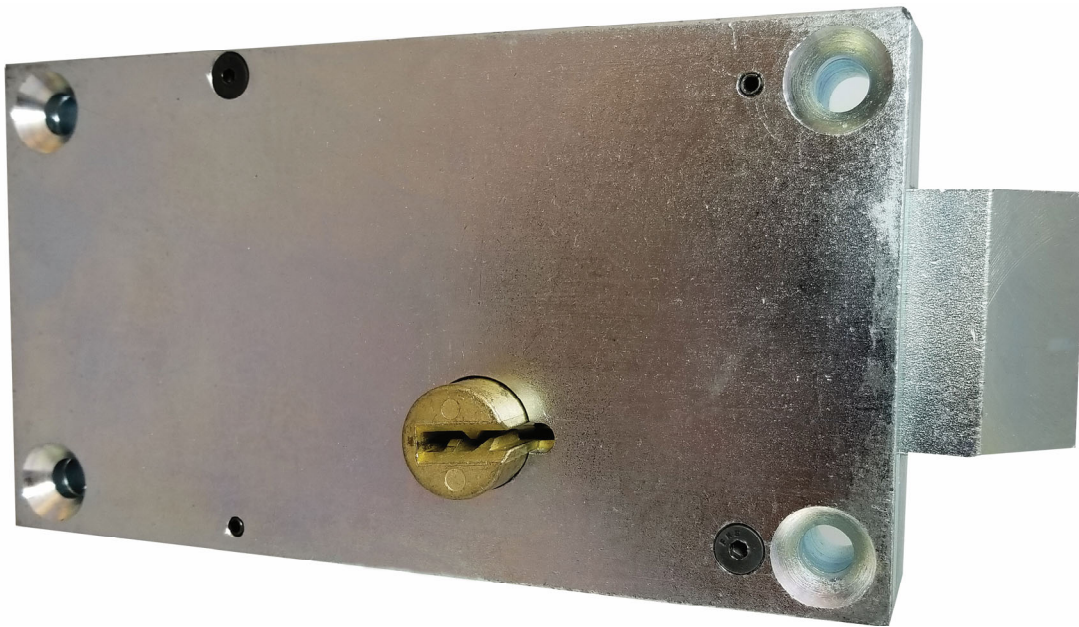


LATCH WITH KEY OPERATED DEADLOCK

5060/5066



A HIGH SECURITY PARACENTRIC KEYED LEVER TUMBLER LATCH WITH KEY OPERATED DEADLOCK

- The Airteq 5060 is a high security latch with key operated deadlock for use on cell, corridor, dayroom and other large doors where slam-locking and the security of a deadlock is required.
- The 5060 slam-locks automatically when the door is closed and is deadlocked with the turn of a key.
- The 5060 is machined to close tolerances providing smooth reliable operation.
- The Airteq 5066 has the added security of 6 lever tumblers. The additional lever tumbler provides greater pick resistance and increased difficulty in unauthorized duplication of keys.

STANDARD FEATURES

- Cold rolled steel latchbolt with hardened steel insert pins
- Latchbolt has 3/4" throw
- Deadlocks and unlocks by key
- Single piece bronze alloy paracentric key cylinder
- 5 tempered brass lever tumblers
- Keyed one side (K1)
- High tensile strength alloy steel case
- All steel parts plated for corrosion resistance

OPTIONAL FEATURES

- Keyed two sides (K2)
- Mortise strike keeper
- Mortise strike keeper with dust box (660-4DB)
- Mortise strike keeper with latchbolt position switch (660-4BL)
- Surface mounted strike keeper

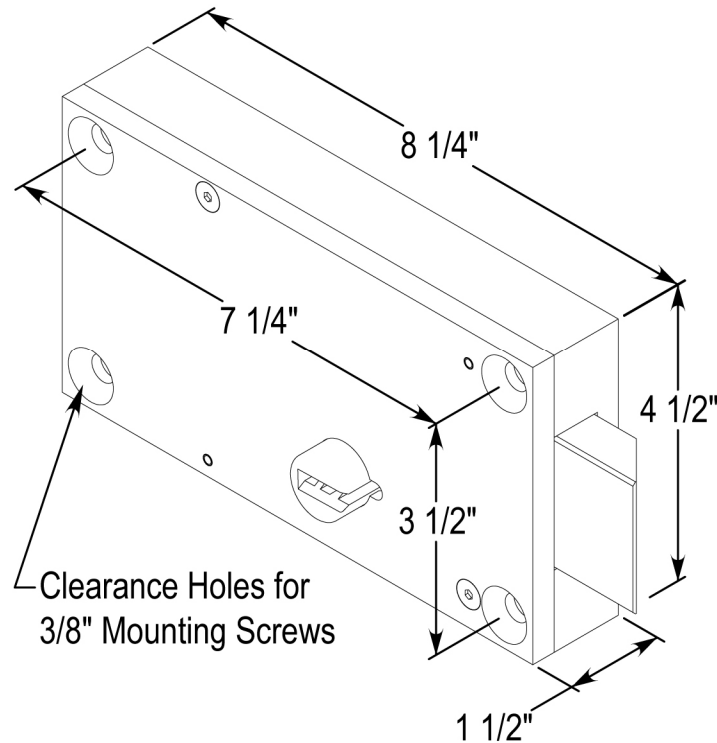


2511 Midpark Rd., Montgomery, AL 36109
Phone: (800) 466-3007 Fax: (334) 286-6421

Revised 12/01/2020

TECHNICAL SPECIFICATIONS

5060/5066



NOTE: This illustration is for information use only. Do not use for construction.

- **Case:** High strength alloy steel, bright zinc plated
- **Cover:** Cold rolled steel, bright zinc plated
- **Latchbolt:** Cold rolled steel, bright zinc plated, with 1/4" diameter case hardened steel insert pins
- **Bolt Throw:** 3/4"
- **Bolt Size:** 2" x 3/4"
- **Dimensions:** 1 1/2" x 8 1/4" x 4 1/2"
- **Deadbolt Position Switch:** SPDT 15 amp @ 125 VAC, 500 ma @ 125 VDC. UL recognized.
- **UL 10B:** 3 hour fire rating
- **ASTM F 1577 Lock Function P 106**

Warranty

Airteq warrants its products against defects in material or workmanship for one year from the time of delivery. Airteq's sole obligation under the warranty is to repair, or at its option, to replace the product. The buyer shall have no other remedy. (All special, incidental and coincidental damages are excluded.) Written notice of breach of warranty must be given to Airteq within the warranty period. The warranty does not cover damages resulting from improper installation or maintenance, accident or misuse. NO OTHER WARRANTIES AS TO MERCHANTABILITY OR OTHERWISE ARE MADE. A continuing product research program is ongoing. Airteq reserves the right to incorporate products and specification changes at any time without notice.