

LATCH WITH KEY OPERATED DEADLOCK

5060K/5066K



A HIGH SECURITY PARACENTRIC KEYED LEVER TUMBLER LATCH WITH KEY OPERATED DEADLOCK AND KNOB OPERATION

- The Airteq 5060K is a high security latch with key operated deadlock for use on cell, corridor, day-room and other large doors where the convenience of a latch with knob operation is preferred and the ability to deadlock is required.
- The 5060K latches when the door is closed. When not deadlocked, the knob will retract the latchbolt. A full turn of the key deadlocks the latchbolt and renders the knob inoperable. A half-turn of the key in the opposite direction retracts the latchbolt.
- The 5060K is machined to close tolerances providing smooth reliable operation.
- The Airteq 5066K has the added security of 6 lever tumblers. The additional lever tumbler provides greater pick resistance and increased difficulty in unauthorized duplication of keys.

STANDARD FEATURES

- Cold rolled steel latchbolt with hardened steel insert pins
- Latchbolt has 3/4" throw
- Latchbolt may be retracted by key or knob
- Deadlocks by key
- Single piece bronze alloy paracentric key cylinder
- 5 tempered brass lever tumblers
- Keyed one side (K1)
- High tensile strength alloy steel case
- All steel parts plated for corrosion resistance

OPTIONAL FEATURES

- Keyed two sides (K2)
- Mortise strike keeper
- Mortise strike keeper with dust box (660-4DB)
- Mortise strike keeper with latchbolt position switch (660-4BL)
- Surface mounted strike keeper



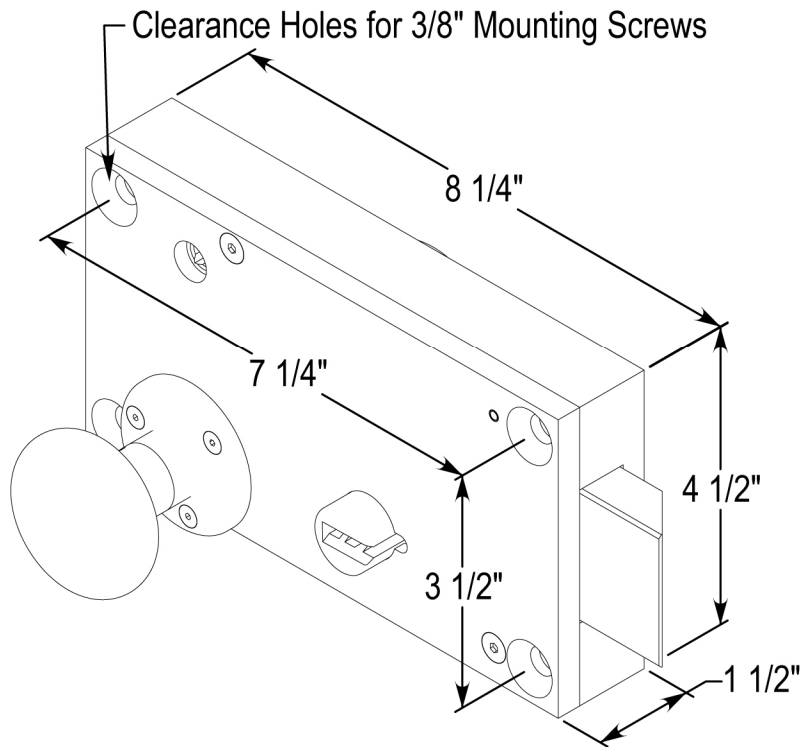
2511 Midpark Rd., Montgomery, AL 36109

Phone: (800) 466-3007 Fax: (334) 286-6421

Revised 12/01/2020

TECHNICAL SPECIFICATIONS

5060K/5066K



NOTE: This illustration is for information use only. Do not use for construction.

- **Case:** High strength alloy steel, bright zinc plated
- **Cover:** Cold rolled steel, bright zinc plated
- **Latchbolt:** Cold rolled steel, bright zinc plated, with 1/4" diameter case hardened steel insert pins
- **Bolt Throw:** 3/4"
- **Bolt Size:** 2" x 3/4"
- **Dimensions:** 1 1/2" x 8 1/4" x 4 1/2"
- **Latchbolt Position Switch:** SPDT 15 amp @ 125 VAC, 500 ma @ 125 VDC. UL recognized.
- **UL 10B:** 3 hour fire rating
- **ASTM F 1577 Lock Function P 107**

Warranty

Airteq warrants its products against defects in material or workmanship for one year from the time of delivery. Airteq's sole obligation under the warranty is to repair, or at its option, to replace the product. The buyer shall have no other remedy. (All special, incidental and coincidental damages are excluded.) Written notice of breach of warranty must be given to Airteq within the warranty period. The warranty does not cover damages resulting from improper installation or maintenance, accident or misuse. NO OTHER WARRANTIES AS TO MERCHANTABILITY OR OTHERWISE ARE MADE. A continuing product research program is ongoing. Airteq reserves the right to incorporate products and specification changes at any time without notice.