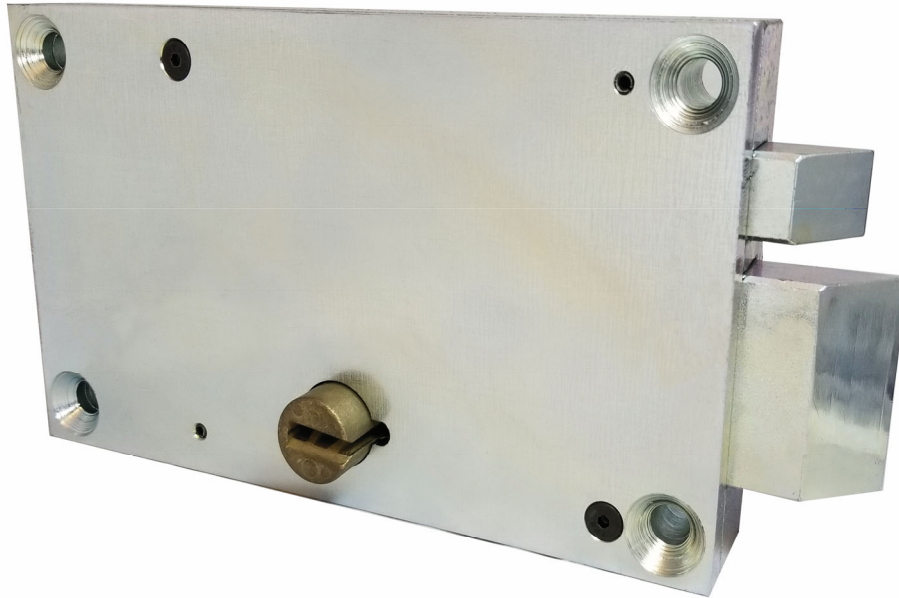


# DEADLATCH 5070/5076



## A HIGH SECURITY PARACENTRIC KEYED LEVER TUMBLER DEADLATCH

- The Airteq 5070 is a high security deadlatch for use on cell, corridor and other high use swinging doors.
- The 5070 provides the convenience of a slam-lock with the added security of an automatic dead-lock.
- The 5070 is machined to close tolerances providing smooth reliable operation.
- The Airteq 5076 has the added security of 6 lever tumblers. The additional lever tumbler provides greater pick resistance and increased difficulty in unauthorized duplication of keys.

### STANDARD FEATURES

- Cold rolled steel latchbolt with hardened steel insert pins
- Latchbolt has 3/4" throw
- Slam-locking with automatic deadlocking
- Single piece bronze alloy paracentric key cylinder
- 5 tempered brass lever tumblers
- Keyed one side (K1)
- High tensile strength alloy steel case
- All steel parts plated for corrosion resistance
- UL 10B 3 hour fire rating

### OPTIONAL FEATURES

- Keyed two sides (K2)
- Mortise strike keeper
- Mortise strike keeper with dust box (670-4DB)
- Mortise strike keeper with latchbolt position switch (670-4BL)
- Surface mounted strike keeper



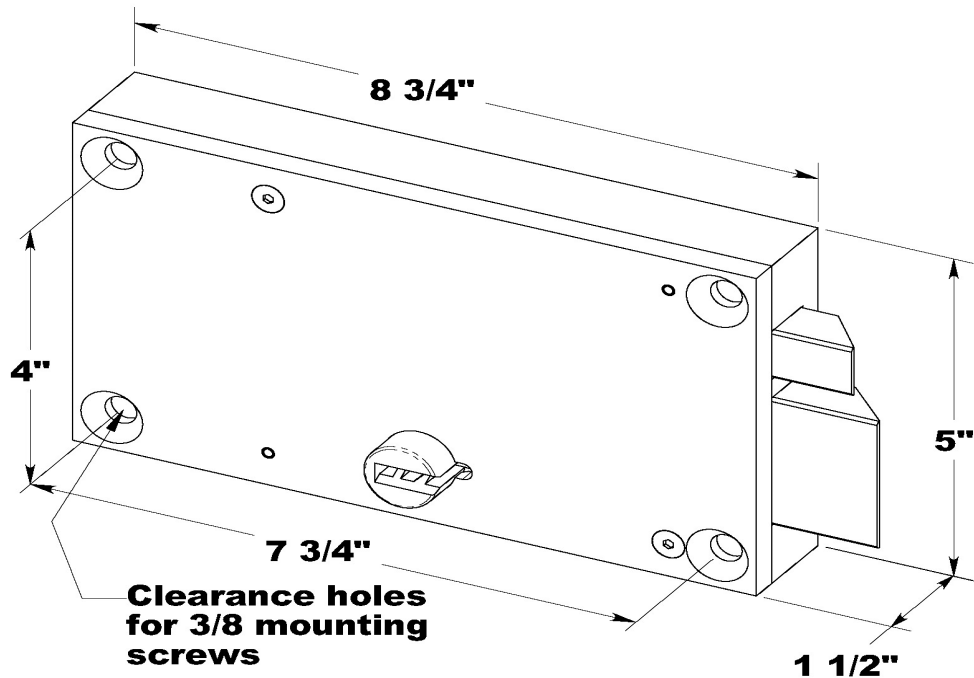
2511 Midpark Rd., Montgomery, AL 36109

Phone: (800) 466-3007 Fax: (334) 286-6421

Revised 12/01/2020

# TECHNICAL SPECIFICATIONS

**5070/5076**



NOTE: This illustration is for information use only. Do not use for construction.

- **Case:** High strength alloy steel, bright zinc plated
- **Cover:** Cold rolled steel, bright zinc plated
- **Latchbolt:** Cold rolled steel, bright zinc plated, with 1/4" diameter case hardened steel insert pins
- **Deadbolt Actuator:** Cold rolled steel, bright zinc plated
- **Bolt Throw:** 3/4"
- **Bolt Size:** 2" x 3/4"
- **Dimensions:** 1 1/2" x 8 1/4" x 5"
- **Latchbolt Position Switch:** SPDT 15 amp @ 125 VAC, 500 ma @ 125 VDC. UL recognized.
- **UL 10B:** 3 hour fire rating
- **ASTM F 1577 Lock Function P 105**

## Warranty

Airteq warrants its products against defects in material or workmanship for one year from the time of delivery. Airteq's sole obligation under the warranty is to repair, or at its option, to replace the product. The buyer shall have no other remedy. (All special, incidental and coincidental damages are excluded.) Written notice of breach of warranty must be given to Airteq within the warranty period. The warranty does not cover damages resulting from improper installation or maintenance, accident or misuse. NO OTHER WARRANTIES AS TO MERCHANTABILITY OR OTHERWISE ARE MADE. A continuing product research program is ongoing. Airteq reserves the right to incorporate products and specification changes at any time without notice.