

TRACKSET 7205s



U.S. PATENT NO. 5,070,575

APPLICATION:

Sliding door locking device for corridors and cells where mechanical or electrical single point locking is acceptable.

DRIVE SYSTEM:

Manual

RELEASE SYSTEM:

Used with 5030, 5030D or 5030K locks

STANDARD FEATURES

- Adjustable Trackset door suspension system utilizes silent, lifetime lubricated patented rollers which travel on a 1" diameter alloy steel track
- Bottom Door Guide with Non-metallic door guide wear pads for smooth, silent operation
- Side motion is limited to 1/16 inch or less, significantly reducing rattle induced noise.
- Each door may be unlocked manually by 5030 Series lock
- With 5030 / 5030K locks the door may be manually slam-locked with automatic deadlocking in the closed position

OPTIONAL FEATURES:

- Door Position Switch provide in track housing. (Specify: DPS)
- Lock Status Switch (receiver pocket) to provide dead-locked indication (Specify: LSS)
- Door skirt to decrease standard 3 1/2" door undercut (Specify: DS)

The 7205s is a manual locking device designed for use in applications requiring manual locking and movement of sliding doors. The locking system provides smooth, quiet operation with minimal maintenance.

This maximum security locking device is designed with security and compact installation in mind. The door operator is contained in a securely baffled, continuous or individual, compact housing. Designed for use with door or receiver mounter 5030 Series locks for applications where single point locking is acceptable.

The door travels on a solid alloy steel track, using silent rollers with lifetime lubricated bearings to insure maximum reliability and quiet operation.

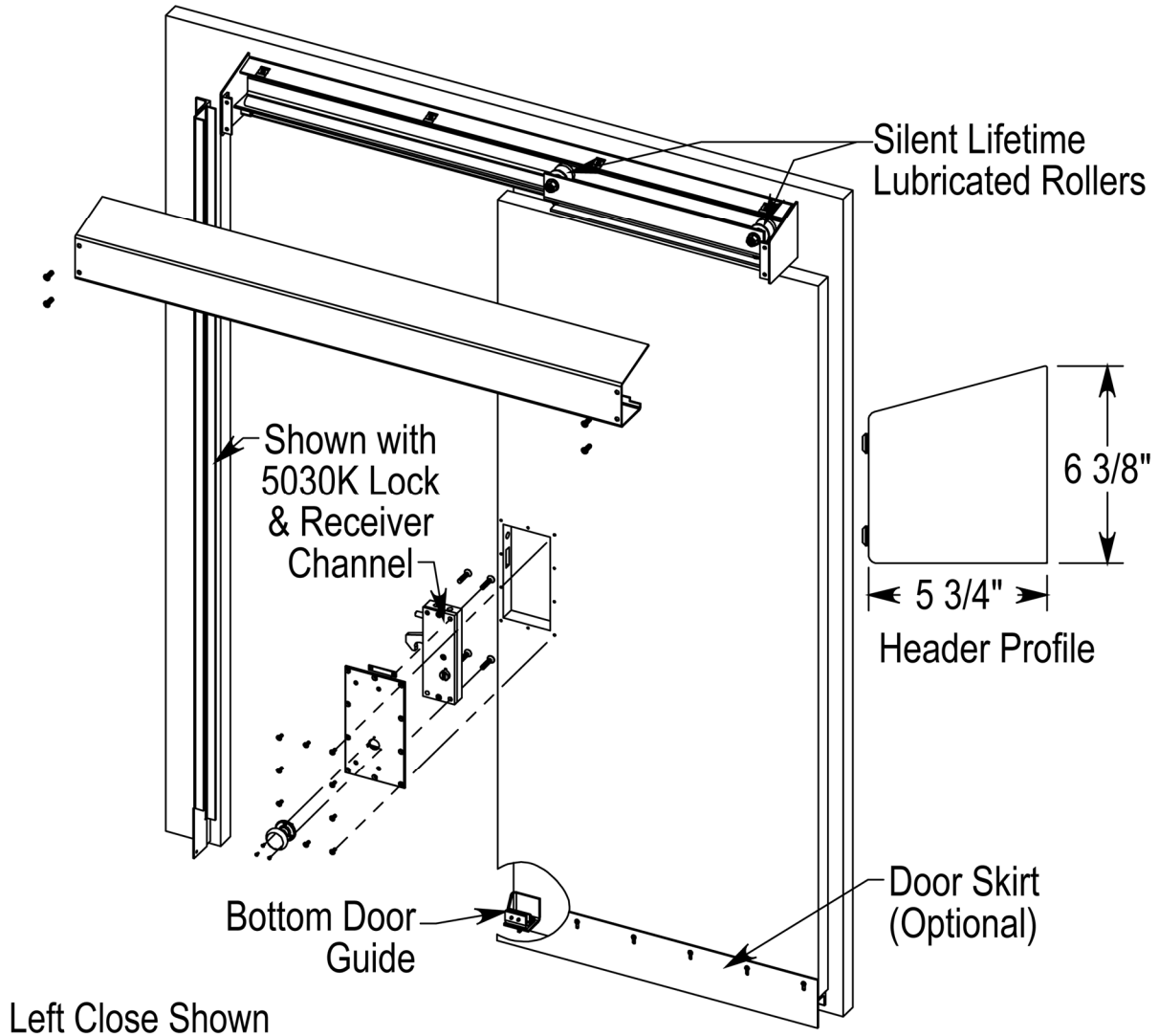


2511 Midpark Rd., Montgomery, AL 36109
Phone: (800) 466-3007 Fax: (334) 286-6421

Revised 12/01/2020

TECHNICAL SPECIFICATIONS

7205s Series



Specifications

- **Housing Cover:** 10 gauge steel, $5 \frac{3}{4}$ " deep x $6 \frac{7}{16}$ " high
- **Receiver Jamb:** 10 gauge steel hollow metal
- **Lock Mechanism:** Single point, door or receiver mounted 5030 Series lock (deadlocking is automatic with 5030/5030K).
- **Release Mechanism:** 5030 Series lock located in door or jamb. With paracentric or knob release
- **Indicator Switches:** 5 amps rated, UL recognized
- **Drive Mechanism:** Manual
- **Roller-Track Assembly:** Silent, lifetime lubricated, patented rollers travel on a 1" diameter alloy steel track

Warranty

Airteq warrants its products against defects in material or workmanship for one year from the time of delivery. Airteq's sole obligation under the warranty is to repair, or at its option, to replace the product. The buyer shall have no other remedy. (All special, incidental and coincidental damages are excluded.) Written notice of breach of warranty must be given to Airteq within the warranty period. The warranty does not cover damages resulting from improper installation or maintenance, accident or misuse. NO OTHER WARRANTIES AS TO MERCHANTABILITY OR OTHERWISE ARE MADE. A continuing product research program is ongoing. Airteq reserves the right to incorporate products and specification changes at any time without notice.