

# LATCH 5015



## A PARACENTRIC KEYED LEVER TUMBLER LATCH

- The Airtec 5015 is a medium security latch for use on food pass, observation, gun locker, wicket and other small swinging doors or covers. When closed and locked the latch is concealed within the case to preclude tampering.
- The 5015 latch is machined to close tolerances providing smooth reliable operation.

### STANDARD FEATURES

- Stainless steel latchbolt
- Latchbolt has 7/16" throw
- Slam-locks automatically when door is closed
- Single piece bronze alloy paracentric key cylinder
- 5 tempered brass lever tumblers
- Keyed one side (K1)
- High tensile strength alloy steel case
- All steel parts plated for corrosion resistance

### OPTIONAL FEATURES

- 6 lever tumblers



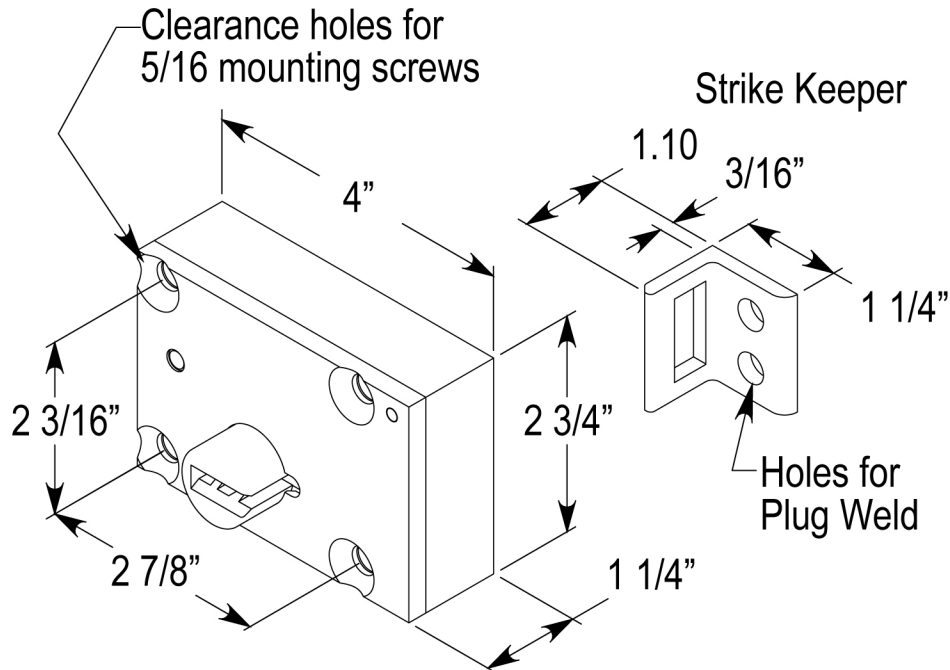
2511 Midpark Rd., Montgomery, AL 36109

Phone: (800) 466-3007 Fax: (334) 286-6421

Revised 12/01/2020

# TECHNICAL SPECIFICATIONS

5015



NOTE: This illustration is for information use only. Do not use for construction.

- **Case:** High strength alloy steel, bright zinc plated
- **Cover:** Cold rolled steel, bright zinc plated
- **Latchbolt:** Stainless steel
- **Bolt Throw:** 7/16"
- **Dimensions:** 1 1/4" x 4" x 2 3/4"

## Warranty

Airteq warrants its products against defects in material or workmanship for one year from the time of delivery. Airteq's sole obligation under the warranty is to repair, or at its option, to replace the product. The buyer shall have no other remedy. (All special, incidental and coincidental damages are excluded.) Written notice of breach of warranty must be given to Airteq within the warranty period. The warranty does not cover damages resulting from improper installation or maintenance, accident or misuse. NO OTHER WARRANTIES AS TO MERCHANTABILITY OR OTHERWISE ARE MADE. A continuing product research program is ongoing. Airteq reserves the right to incorporate products and specification changes at any time without notice.