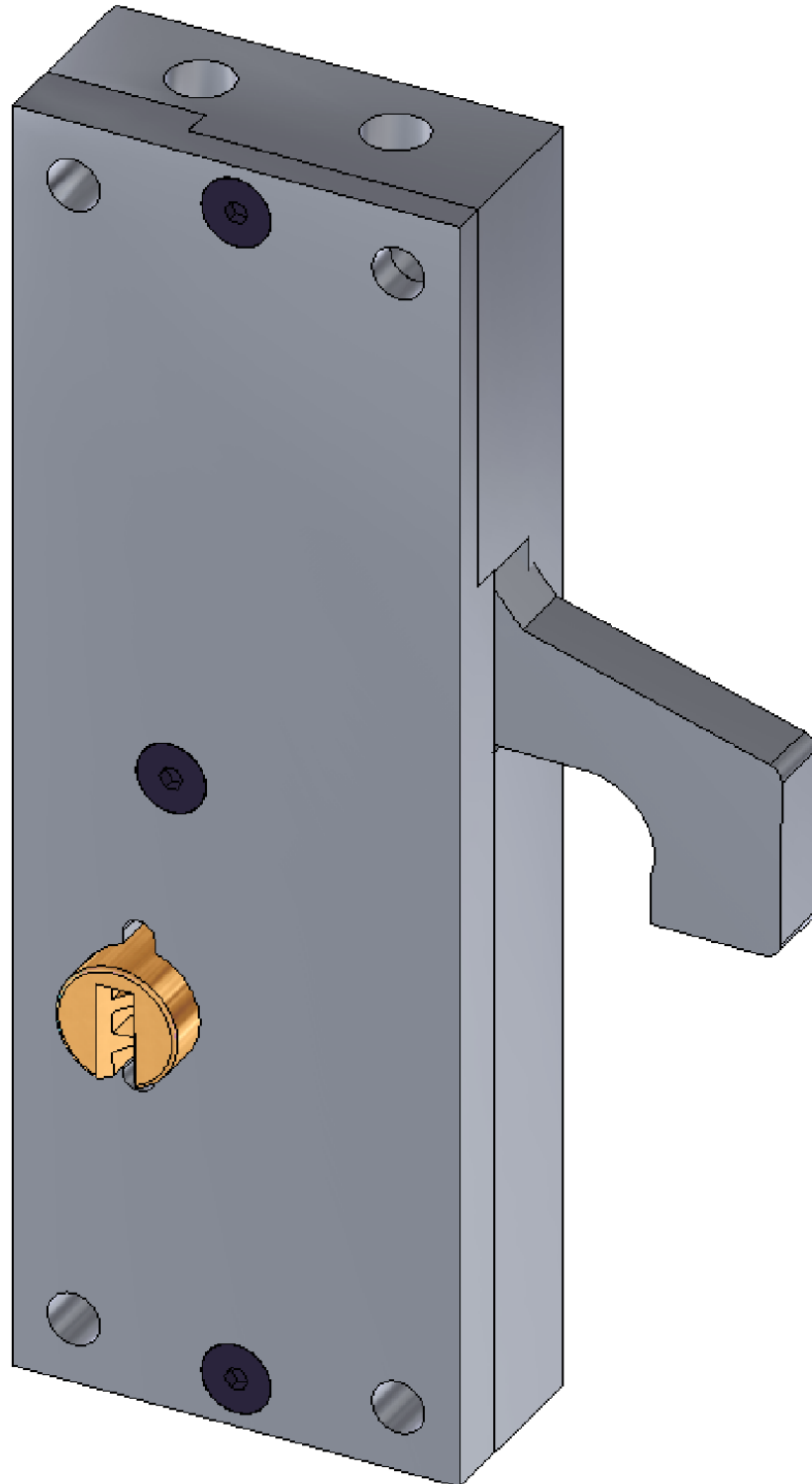




AIRTEQ  
www.Airteq.com

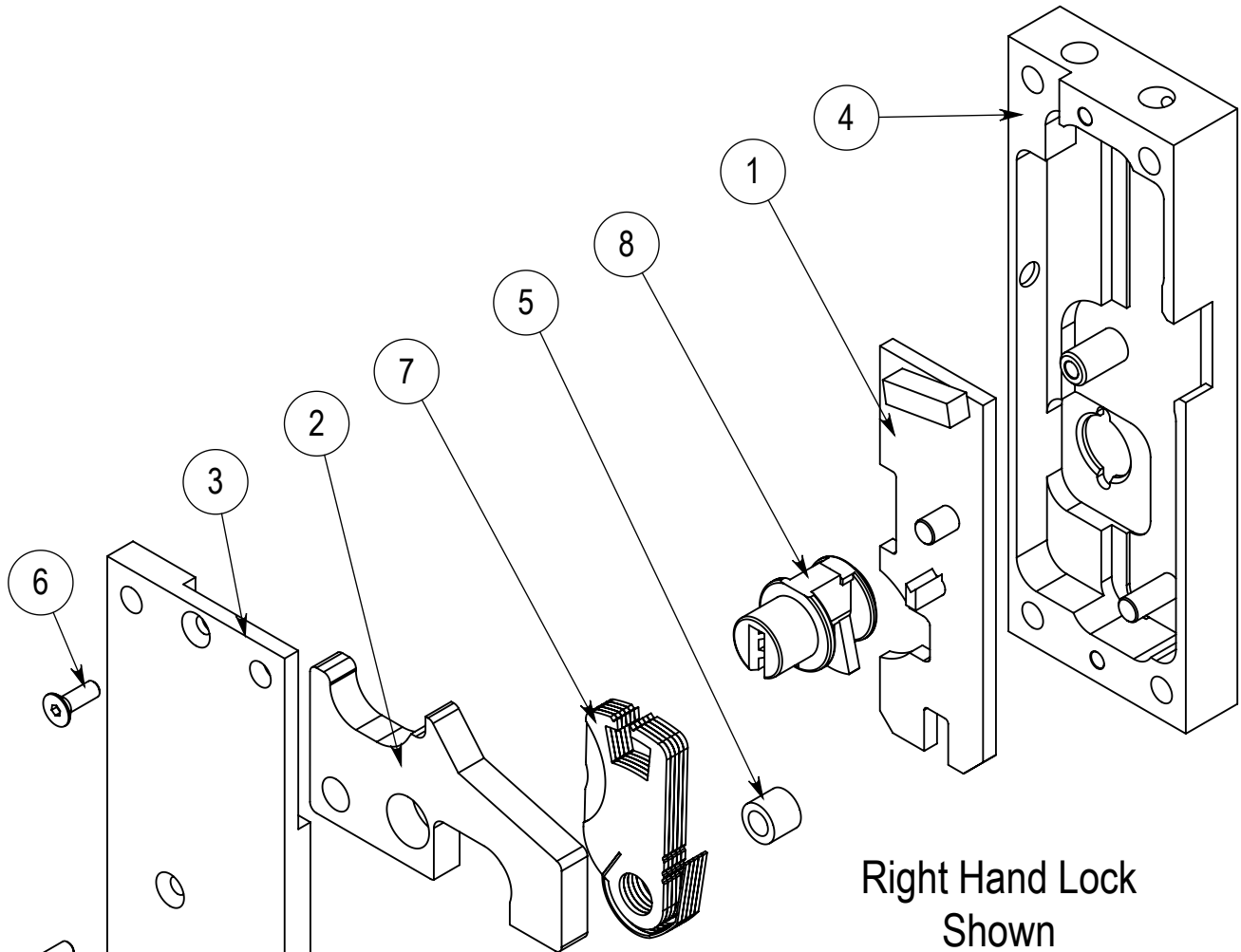
## 5030D/5036D SERIES DEADLOCK

5030D/5036D 4/29/16



## 5030D/5036D SERIES DEADLOCK

5030D/5036D 4/29/16



ITEM NO.	QTY	PART NUMBER	DESCRIPTION
1	1	146-5030-001 146-5030-000	5030D Slide Weldment, RH (Shown) (OR) 5030D Slide Weldment, LH
2	1	216-5030-010	LATCHBOLT
3	1	216-5030-054 216-5030-035	5030 Cover, RH (Shown) (OR) 5030 Cover, LH
4	1	216-5030-059 216-5030-058	5030D Case, RH, w/Countersinks (Shown) (OR) 5030D Case, LH, w/Countersinks
5	1	216-5080-033	SPACER
6	3	310-2520-022	Screw, FH, SOC., 1/4-20x3/4, Blk Oxide
7	1	449-5030-000 449-5036-000	Tumbler Kit (Shown) (OR) 6 Tumbler Kit
8	1	216-5001-008 216-5001-006 216-5060-123 216-5030-057	Key Cylinder, "B" Keyway, K1S, 5030 Key Cylinder, "B" Keyway, K2S, 5030 Key Cylinder, "A" Keyway, K2S, 5030 Key Cylinder, "A" Keyway, K1S, 5030

**MAINTENANCE INSTRUCTIONS**  
**AIRTEQ**  
**MECHANICAL LEVER TUMBLER LOCKS**

All Airteq mechanical lever tumbler locks are designed for years of trouble-free use. No periodic maintenance or lubrication is recommended. If, however, a lock fails to perform properly, the following procedure is recommended.

- 1) Remove the lock cover.
- 2) Carefully remove the tumbler stack. Mark each tumbler position on the tumbler with a permanent marker for ease of reassembly.
- 3) Remove the remaining components.
- 4) Clean the case, cover and other components with alcohol or acetone and a clean lint free cloth.
- 5) Lightly lubricate the following areas with a multi-purpose synthetic lubricant with teflon, similar to "Synco Super Lube with Teflon":
  - a) All machined surfaces at the bottom of the lock case.
  - b) The I.D. of the key cylinder hole in the case.
  - c) The I.D. of the key cylinder hole in the cover and the counterbore around it.
- 6) Carefully reassemble the lock. Be sure that the tumbler stack has been properly reassembled.
- 7) 5070 Series locks only:

Lubricate the surfaces where the actuator pawl and slide weldment interface.

**WARNING:**

- 1) Never use WD40 or similar silicone based lubricants.
- 2) Never use graphite powder as a lubricant.
- 3) Never lubricate the lever tumblers.

**KEYS AND LEVER TUMBLERS**

- 1) Key wear can cause improper operation of the lock and may damage the lock's lever tumblers. Keys in constant use should be periodically compared to a similar new key. When grooves due to wear are noted in the steps on the key bit, the old key should be replaced.
- 2) When rekeying is performed, new tumbler stacks should be purchased as a set including a new key. This enables Airteq to maintain complete keying records.