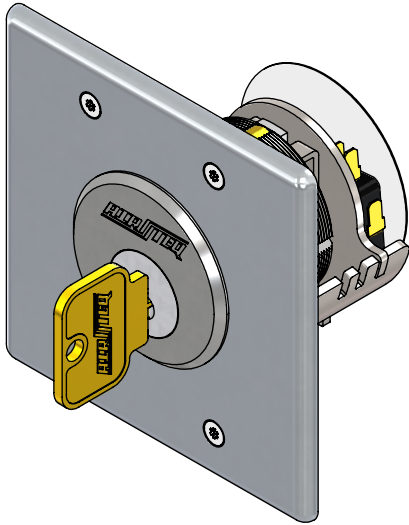
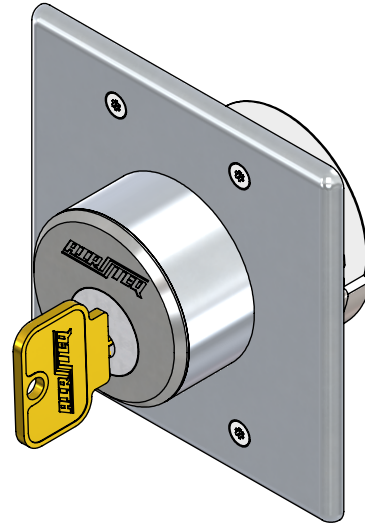


6500 MOGUL KEY SWITCH

4/14/19



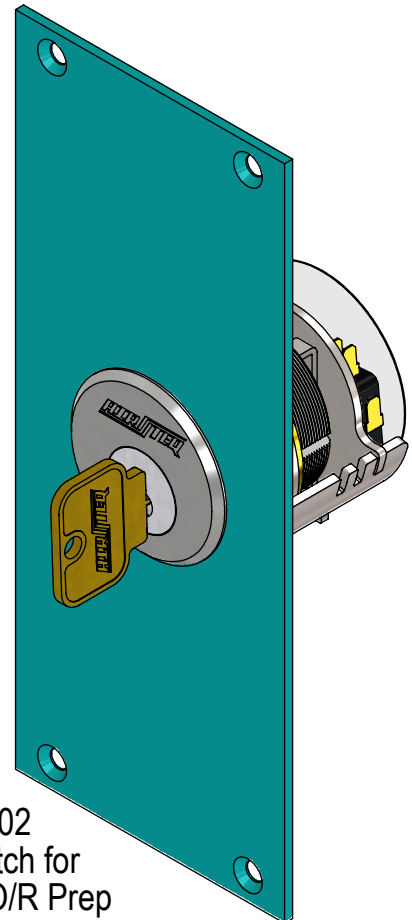
135-6500-000
Mogul Key Switch Box Mount



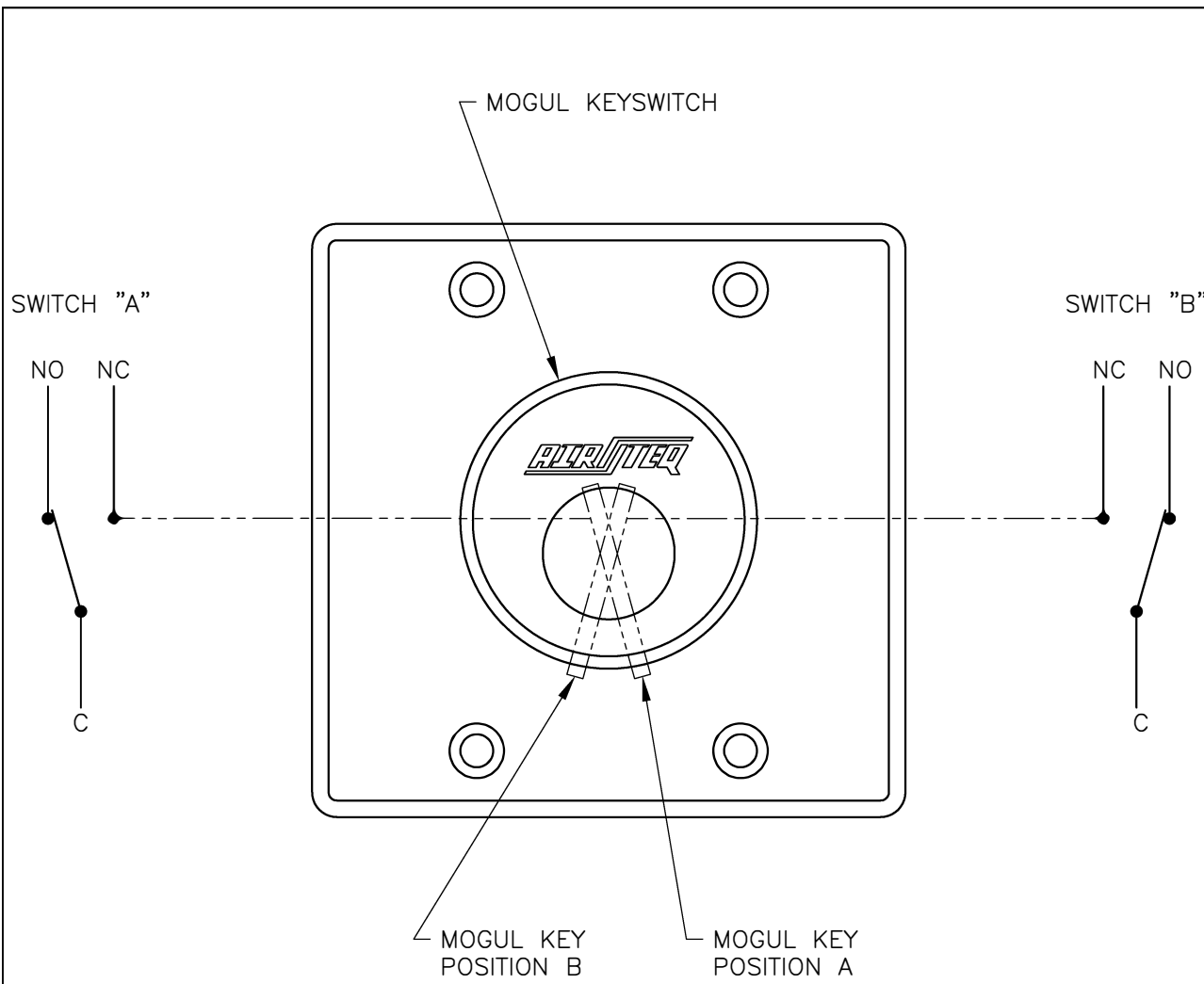
135-6500-000K2S
Mogul Key Switch, Shallow Back (K2S)



135-6500-001
Faceplate, Mogul Key Switch,
Masonry Anchor Mount



135-6500-002
Mogul Key Switch for
Standard Mogul O/R Prep



REVISIONS				
REV	ECN	DESCRIPTION	DRAWN	CHK

NOTE:
 WHEN MOGUL KEY IS IN POSITION "A", SWITCH "A" IS ACTIVATED.
 WHEN MOGUL KEY IS IN POSITION "B", SWITCH "B" IS ACTIVATED.

COMPANY CONFIDENTIAL: THIS DRAWING IS THE PROPERTY OF AIRTEQ SYSTEMS AND MUST BE ACCOUNTED FOR. INFORMATION HEREON IS CONFIDENTIAL AND MUST NOT BE USED, REPRODUCED, REVEALED TO UNAUTHORIZED PERSONS OR SENT OUTSIDE THE COMPANY WITHOUT PROPER AUTHORIZATION.



TITLE WIRING DIAGRAM, 6500 MOGUL KEYSWITCH	DRAWN BY DEE		
	APPROVED		
	DATE 6/19/98		
	SCALE NONE		
© 1989 AIRTEQ SYSTEMS.	SIZE B	DWG. NO. EL-0073-B	REV



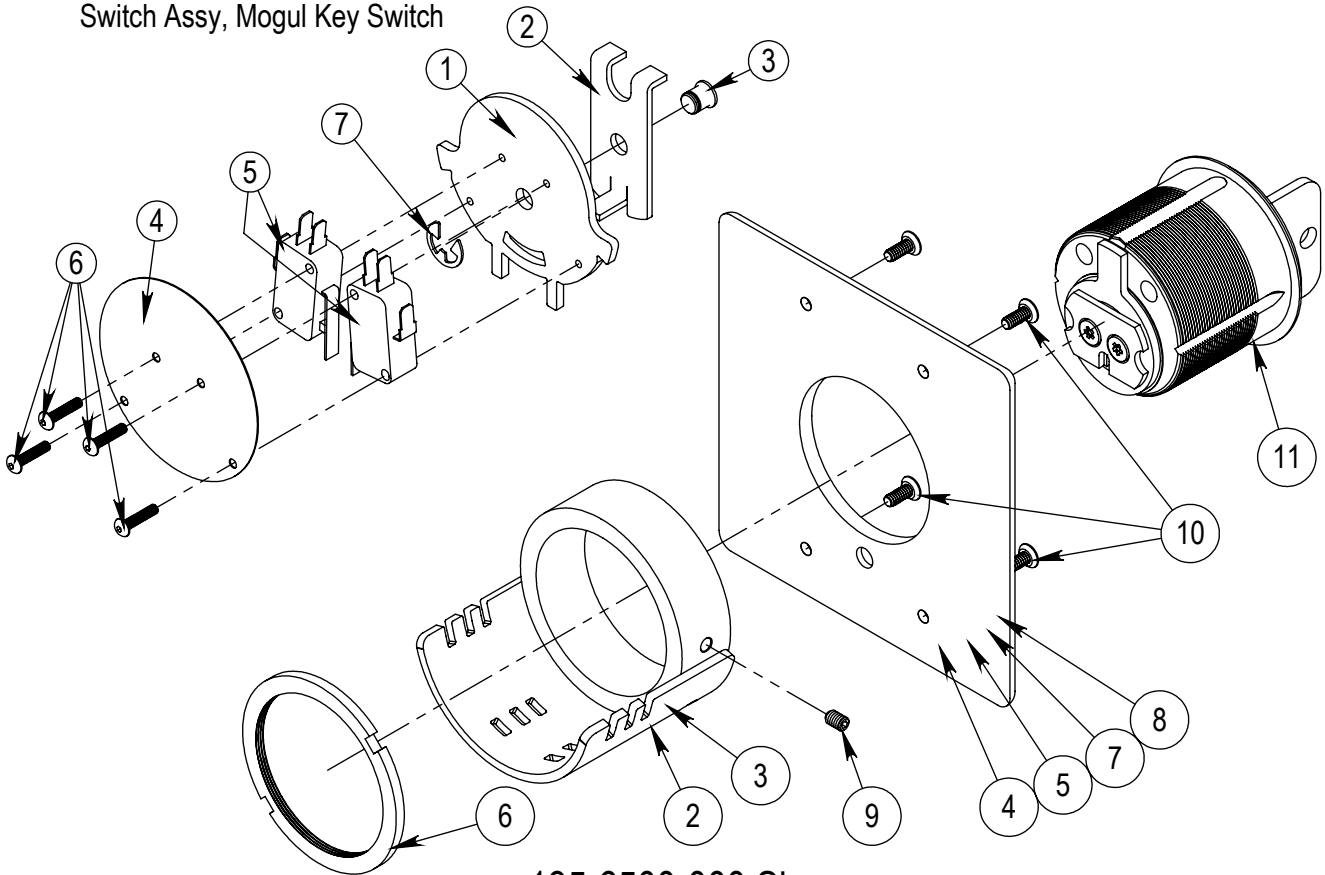
AIRTEQ
www.airteq.com
800-466-3007

6500 MOGUL KEY SWITCH

4/14/19

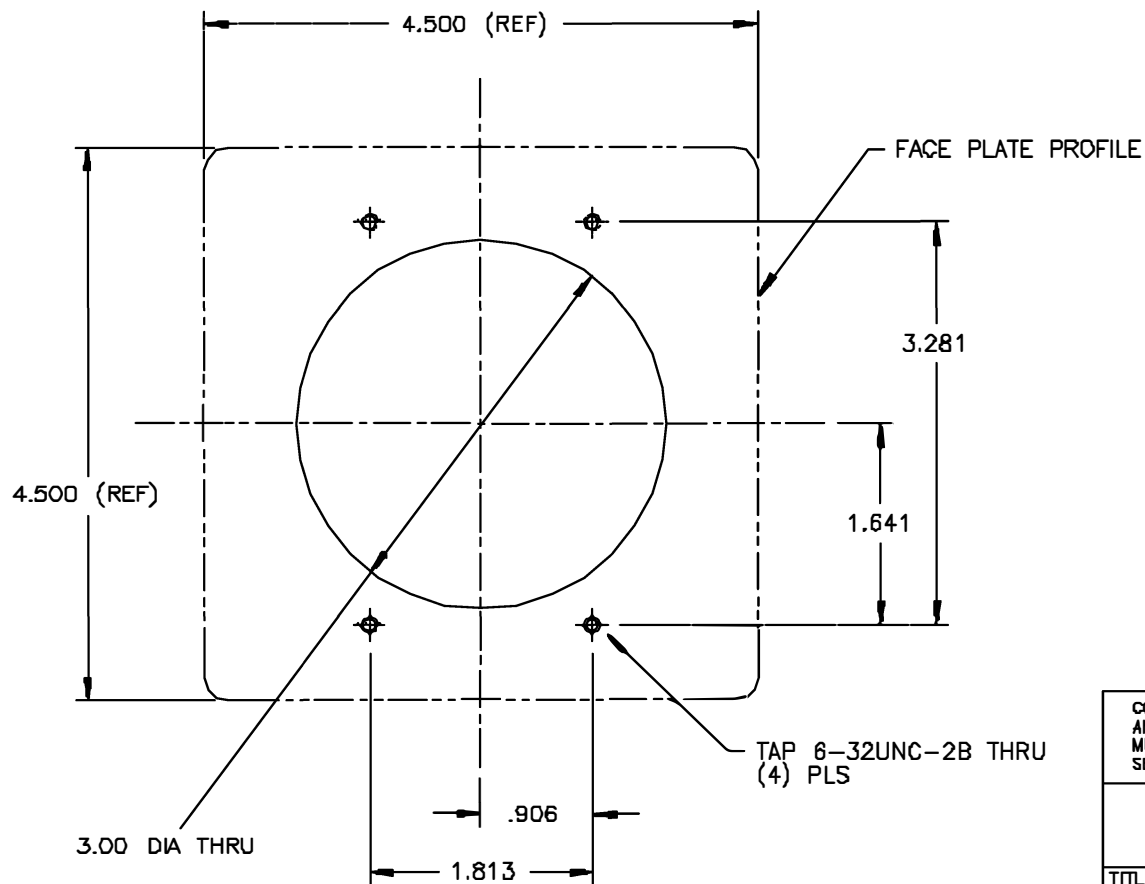
ITEM NO.	QTY.	PART NUMBER	DESCRIPTION
1	1	216-6500-000	SWITCH MOUNT
2	1	216-6500-001	CAM TRAILER
3	1	216-6500-005	PIVOT PIN
4	1	216-6500-007	INSULATOR
5	2	216-6500-009	SWITCH. MODIFIED, SHORTENED TRIGGER
6	4	310-0440-028	SCREW, BHCS, HEX 4-40UNC X 1/2
7	1	315-0000-003	RETAINING RING

146-6500-001
Switch Assy, Mogul Key Switch



135-6500-000 Shown

ITEM NO.	PART NUMBER	DESCRIPTION	135-6500-000 QTY	135-6500-000 K2S QTY	135-6500-001 QTY	135-6500-002 QTY
	146-6500-001	Switch Assy, Mogul Key Switch	1	1	1	1
2	146-6500-000	Mogul Key Switch SLEEVE WELDMENT	1	-	1	1
3	146-6500-002	K2S Mogul Key Switch Sleeve Weldment	-	1	-	-
4	146-6500-003	Mogul KS Mount Plate to Fit Mogul O/R Rec. Prep	-	-	-	1
5	150-6500-010	Airteq Mogul Keyswitch K2S Weldment	-	1	-	-
6	216-1000-028	Mogul Cylinder, SPANNER Lock NUT	1	1	1	1
7	216-6500-004	Faceplate, Mogul Key Switch, Switch Box Mount	1	-	-	-
8	216-6500-006	Faceplate, Mogul Key Switch, Masonry Anchor Mount	-	-	1	-
9	310-0832-005	SET SCREW, 8-32 X .250	1	1	1	1
10	311-0632-012	SCREW TP FH TORX 6-32X3/8 STNLS	4	4	4	-
11	-	MOGUL CYLINDER (ORDER SEPARATELY)	1	1	1	1



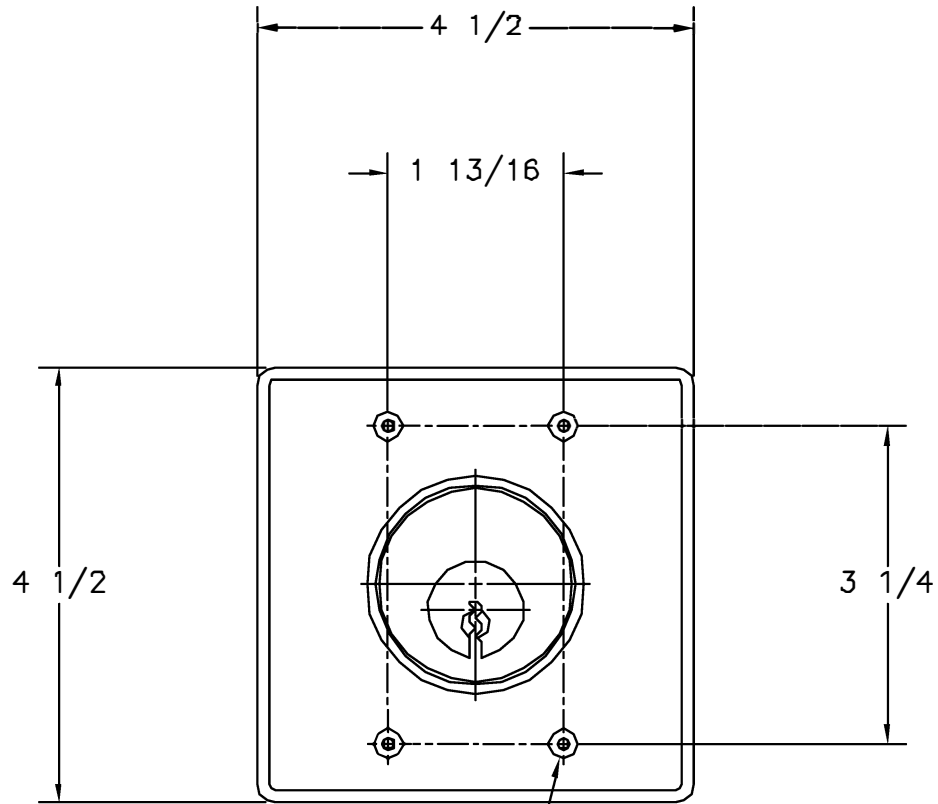
REVISIONS				
REV	ECN	DESCRIPTION	DRAWN	CHK

COMPANY CONFIDENTIAL: THIS DRAWING IS THE PROPERTY OF AIRTEQ SYSTEMS AND MUST BE ACCOUNTED FOR. INFORMATION HEREON IS CONFIDENTIAL AND MUST NOT BE USED, REPRODUCED, REVEALED TO UNAUTHORIZED PERSONS OR SENT OUTSIDE THE COMPANY WITHOUT PROPER AUTHORIZATION.



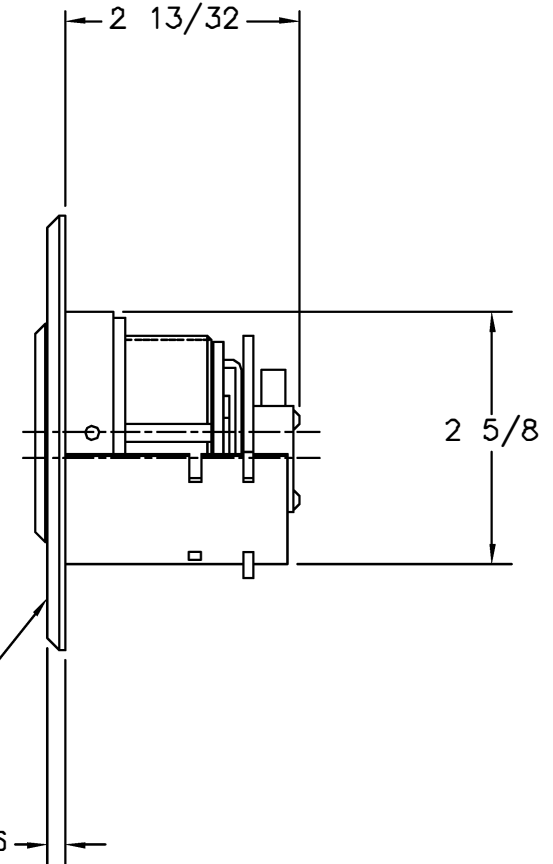
TITLE HOLLOW METAL MOUNTING TEMPLATE 6500 MOGUL KEYSWITCH		DRAWN BY DSG
APPROVED		DATE 6-7-01
SCALE 1X		REV
© 1989 AIRTEQ SYSTEMS.	SIZE B	DWG. NO.

REVISIONS				
REV	ECN	DESCRIPTION	DRAWN	CHK



6-32 FH SECURITY SCREWS
(PROVIDED)

STAINLESS STEEL
COVER PLATE



NOTES:

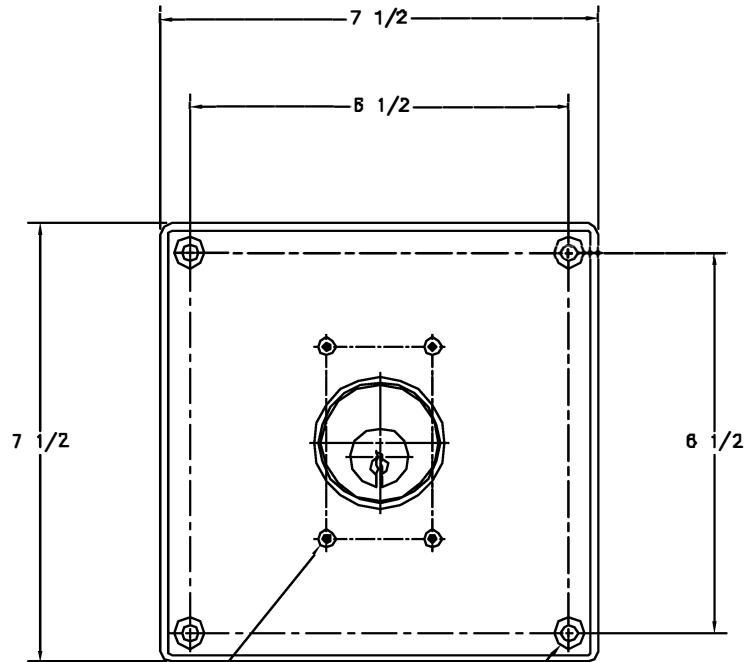
1. PROVIDED WITH TWO SPDT SWITCHES.
2. ELECTRICAL RATING OF SWITCH:
15 AMPS - 1/2 HP,
125/250 VAC.
3. NEITHER SWITCH ACTIVATED IN
NEUTRAL POSITION (KEY
REMOVED).
4. ONLY ONE SWITCH ACTIVATED
AT A TIME.

COMPANY CONFIDENTIAL THIS DRAWING IS THE PROPERTY OF AIRTEQ SYSTEMS AND MUST BE ACCOUNTED FOR. INFORMATION HEREON IS CONFIDENTIAL AND MUST NOT BE USED, REPRODUCED, REVEALED TO UNAUTHORIZED PERSONS OR SENT OUTSIDE THE COMPANY WITHOUT PROPER AUTHORIZATION.

AIR/TEQ

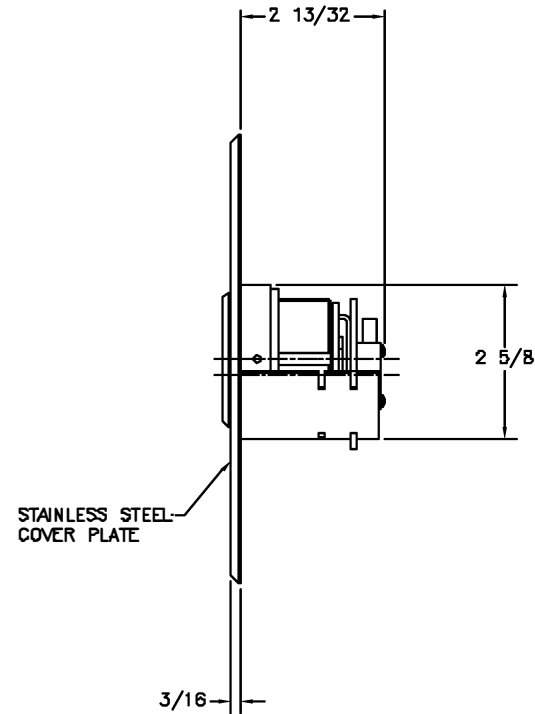
TITLE	AIRTEQ 6500 MOGUL KEYSWITCH, BOX MOUNT	DRAWN BY	DEE
		APPROVED	
		DATE	2/16/98
		SCALE	FULL
© 1999 AIRTEQ SYSTEMS.	SIZE C	DWG. NO.	530-6500-000
		REV	

REV		DESCRIPTION	DATE	BY



6-32 FH SECURITY SCREWS
(PROVIDED)

DRILLED THRU
& COUNTERSUNK
FOR 1/4" FH CON. ANCHORS
(ANCHORS NOT PROVIDED)



STAINLESS STEEL
COVER PLATE

NOTES:

1. PROVIDED WITH TWO SPDT SWITCHES.
2. ELECTRICAL RATING OF SWITCH: 15 AMPS - 1/2 HP, 125/250 VAC.
3. NEITHER SWITCH ACTIVATED IN NEUTRAL POSITION (KEY REMOVED).
4. ONLY ONE SWITCH ACTIVATED AT A TIME.

AIR/TEQ	
TITLE	DRWN BY
AIRTEQ 6500	DEE
MOGUL KEYSWITCH, ANCHOR MOUNT	DATE
	2/27/88
SCALE	FULL
SIZE	REV
D	530-6500-001