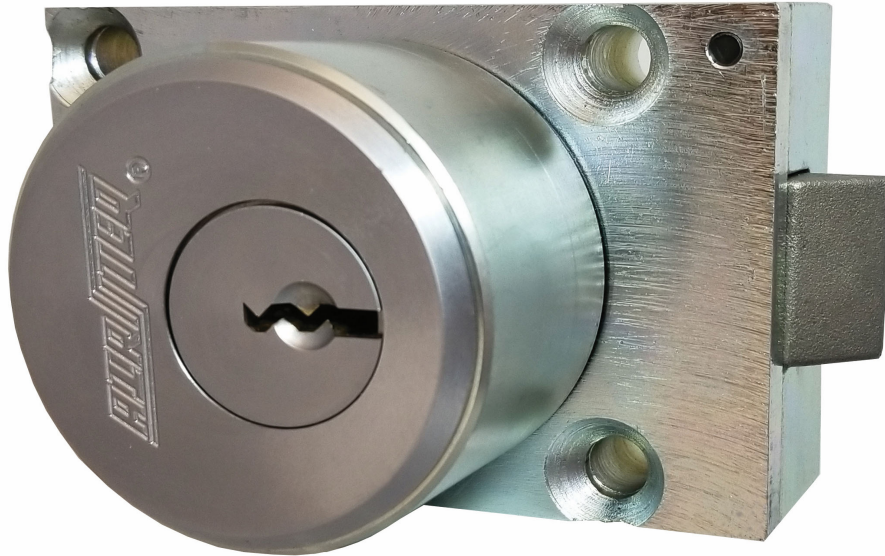


# LATCH 5017M



## A MOGUL KEY CYLINDER LATCH

- The Airtec 5017m is a medium security latch for use of food pass, observation, gun locker, wicket and other small swinging doors where slam-locking is preferred and deadlocking is not required.
- The 5017M latch is machined to close tolerances providing smooth reliable operation.

### STANDARD FEATURES

- Stainless steel latchbolt
- Latchbolt has 7/16" throw
- Slam-locks automatically when door is closed
- Mogul Key cylinder
- Keyed one side (K1)
- High tensile strength alloy steel case
- All steel parts plated for corrosion resistance

### OPTIONAL FEATURES

- Food pass keeper
- Hollow metal mounting

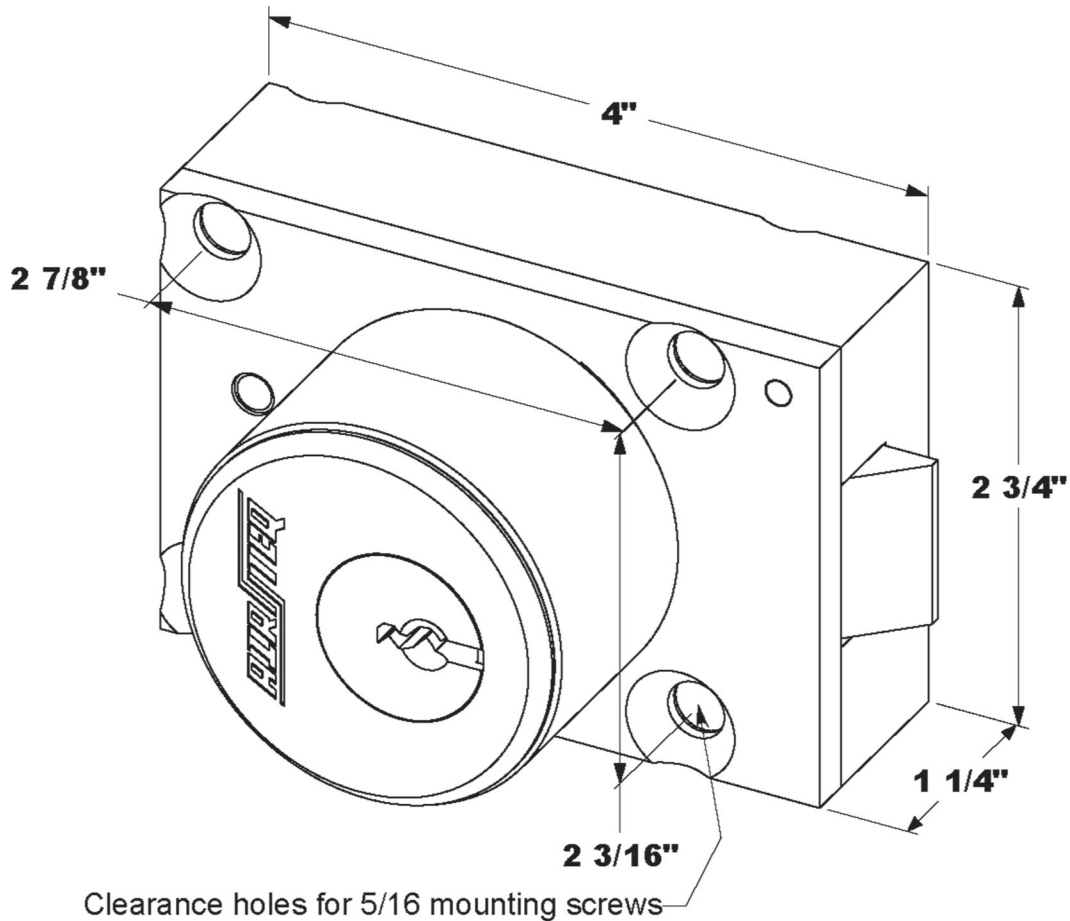


2511 Midpark Rd., Montgomery, AL 36109  
Phone: (800) 466-3007 Fax: (334) 286-6421

Revised 12/01/2020

# TECHNICAL SPECIFICATIONS

## 5017M



**NOTE:** This illustration is for information use only. Do not use for construction.

- **Case:** High strength alloy steel, bright zinc plated
- **Cover:** Cold rolled steel, bright zinc plated
- **Latchbolt:** Stainless steel
- **Bolt Throw:** 7/16"
- **Bolt Size:** 1" x 7/16"
- **Dimensions:** 1 1/4" x 4" x 2 3/4"
- **Key Cylinder:** Airteq high security (6 pin) mogul cylinder
- **ASTM F 1577 Lock Function M104**

### Warranty

Airteq warrants its products against defects in material or workmanship for one year from the time of delivery. Airteq's sole obligation under the warranty is to repair, or at its option, to replace the product. The buyer shall have no other remedy. (All special, incidental and coincidental damages are excluded.) Written notice of breach of warranty must be given to Airteq within the warranty period. The warranty does not cover damages resulting from improper installation or maintenance, accident or misuse. NO OTHER WARRANTIES AS TO MERCHANTABILITY OR OTHERWISE ARE MADE. A continuing product research program is ongoing. Airteq reserves the right to incorporate products and specification changes at any time without notice.