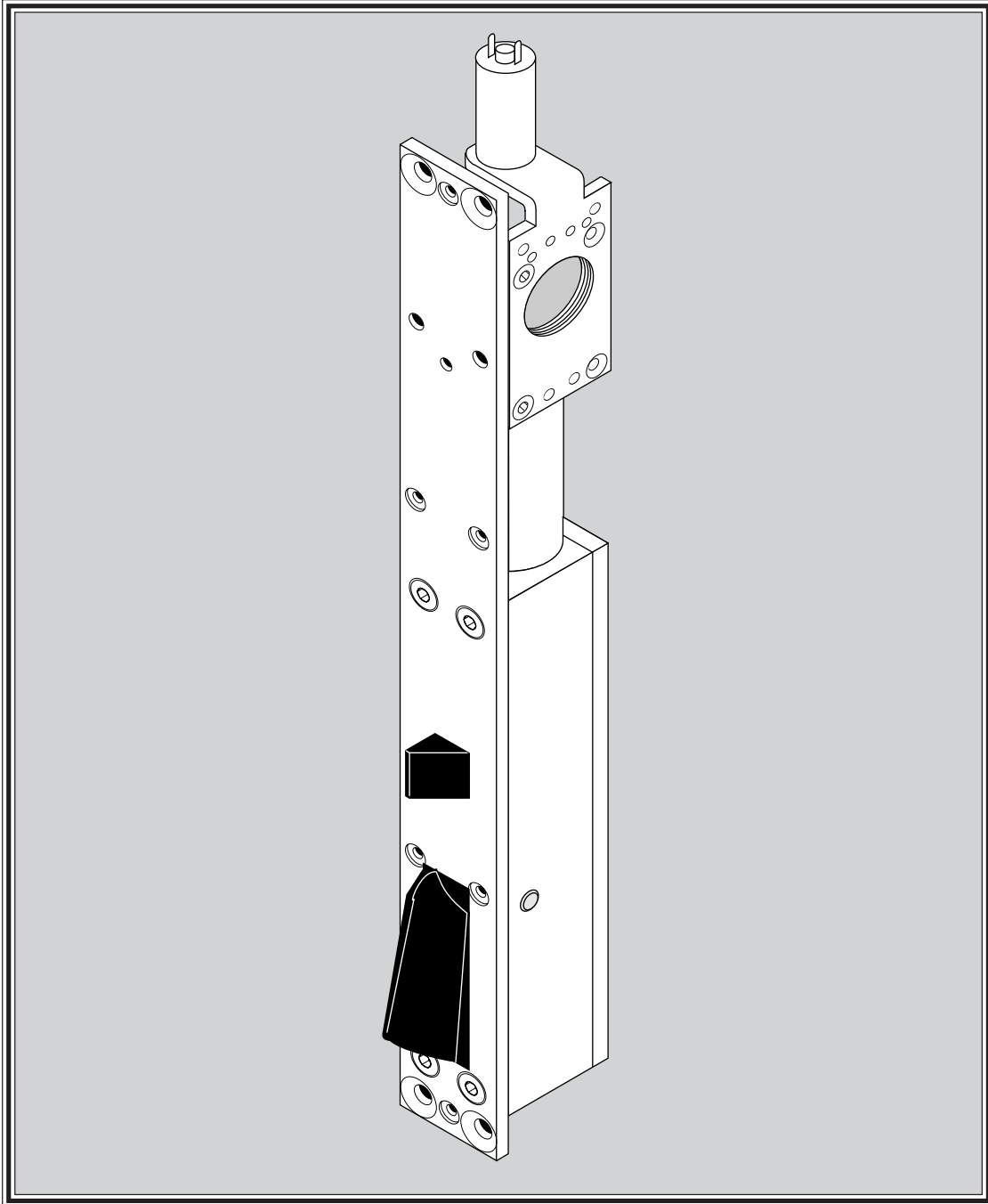
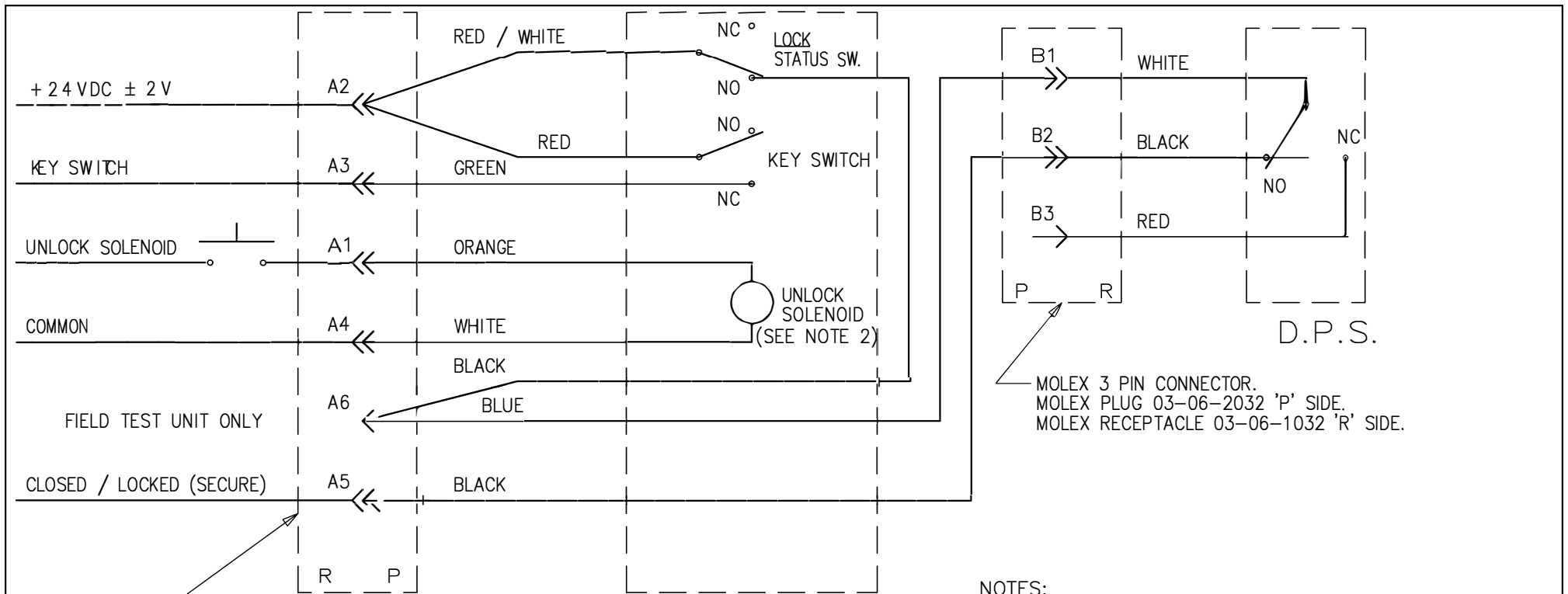




## 9400C SERIES LOCK






MOLEX 6 PIN CONNECTOR.  
MOLEX PLUG 03-06-2061 'P' SIDE.  
MOLEX RECEPTACLE 03-06-1062 'R' SIDE.

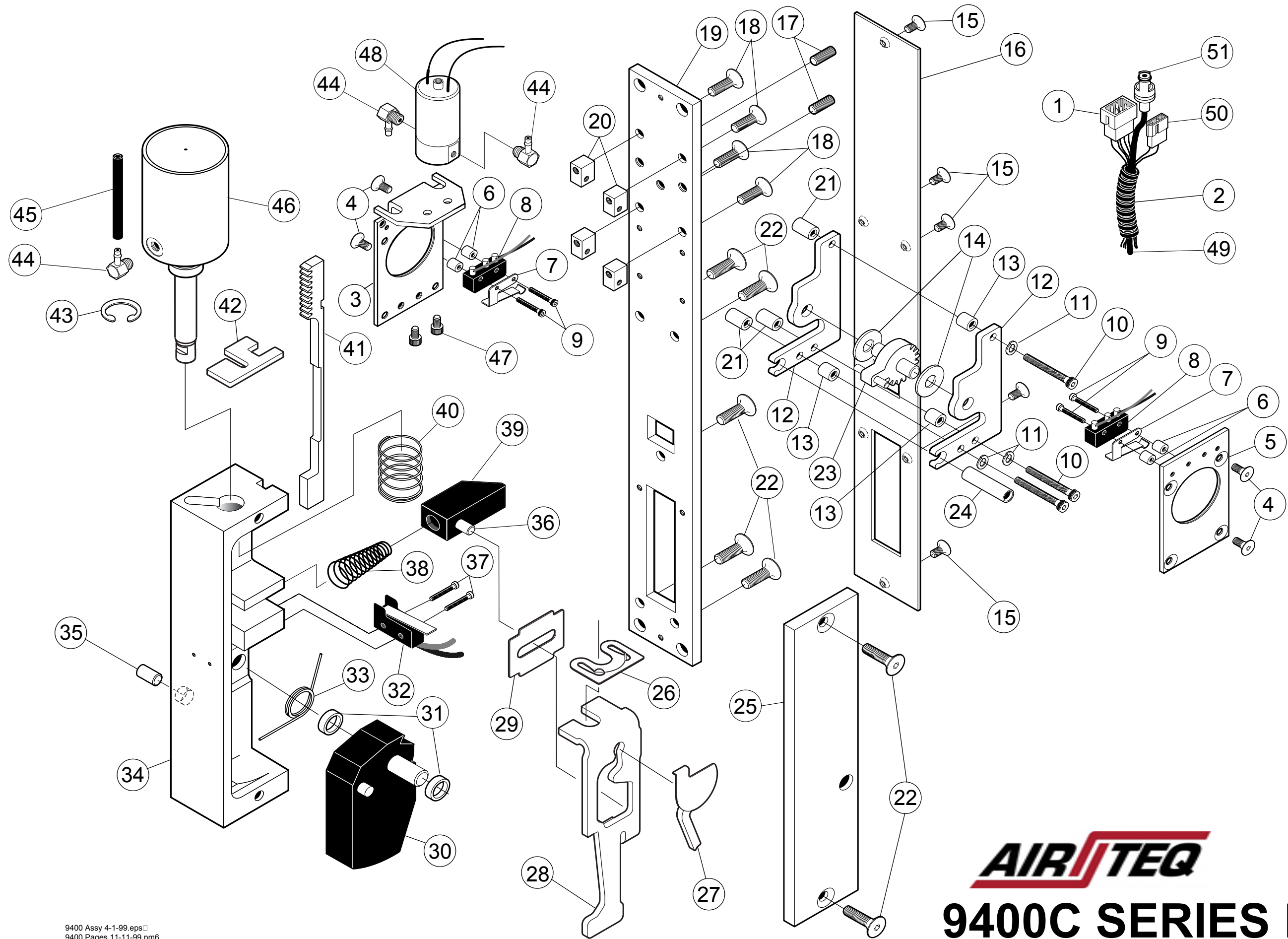
- NOTES:
1. SCHEMATIC SHOWN WITH DOOR IN THE CLOSED AND LOCKED (SECURE) POSITION.
  2. SOLENOID: 1.5 WATT MAX.
  3. SWITCH CONTACTS: 5A.
  4. ALWAYS INSTALL IN ACCORDANCE WITH LOCAL REGULATIONS AND THE NATIONAL ELECTRIC CODE (NEC). POWER DEVICE FROM A CLASS 2 POWER SOURCE WHEN PNEUMATIC TUBING OCCUPIES THE SAME SPACE AS CONTROL WIRING.

REV.	ECN	DESCRIPTION	DRN	DATE	CHK
07	2572	SEE ECN	DEE	2/7/03	
06	1500	MALE PINS WERE FEMALE & FEMALE PINS WERE MALE IN 3 PIN MOLEX CONNECTOR.	DCB	11-7-94	
05	1297	REDRAWN, BLK WIRE TO A6 WAS TO B1	DCB	5-21-93	
04	1228	ADD NOTE 2.	DCB	6-8-92	
03	1005	RED / WHITE WIRE WAS RED WIRE	DCB	1-10-91	
REVISIONS					



TITLE WIRING DIAGRAM,  
9400, 9500  
& 9700 LOCKS

© 1989 AIRTEQ SYSTEMS.	SIZE B	DWG. NO. EL-0011-B	REV 07
------------------------	--------	--------------------	--------



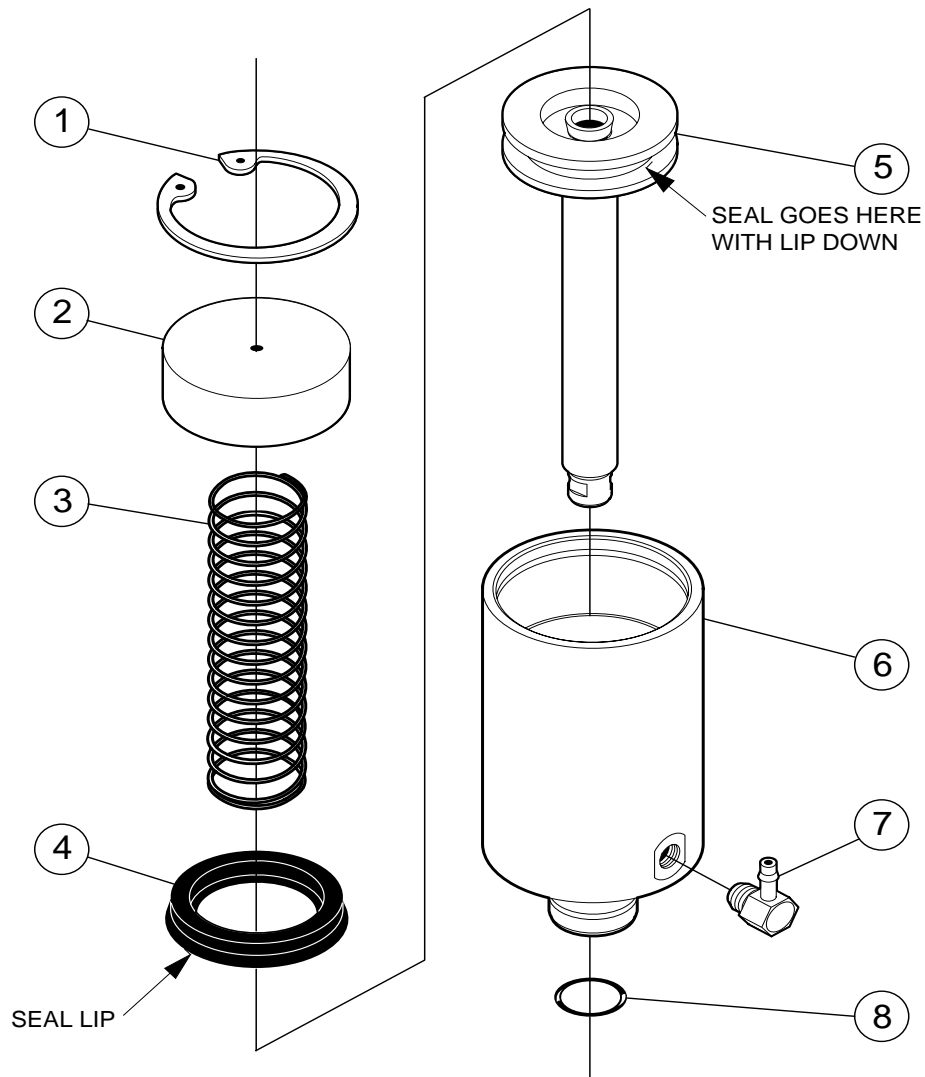
# 9400C SERIES LOCK PARTS LIST

ITEM	QTY	PART NUMBER	DESCRIPTION
1	1	SEE WIRING DIAGRAM	ASSY, 6 PIN MOLEX CONNECTOR
2	1	340-0000-205	SPLIT LOOM, 5"
3	1	216-9400-132	MORTISE CYLINDER PLATE, UNIVERSAL
4	2	310-0632-009	SCREW, FH, SOC., 6-32 X 3/8 (QTY 4 ON KBS MODELS)
5	1	216-9400-133	MORTISE CYLINDER PLATE (KBS MODELS ONLY)
6	2*	319-0000-052	SPACER, KEY SWITCH
7	1*	340-0000-133	SWITCH LEVER, MICROSWITCH, #JS-7
8	1*	160-9400-020	ASSY, KEY SWITCH
9	2*	310-0256-002	SCREW, SHCS, 2-56 X 9/16
10	3	310-0632-010	SCREW, SHCS, 6-32 X 1
11	3	313-0000-088	LOCK WASHER, #6
12	2	216-9400-134	GEAR SUPPORT PLATE
13	3	319-0000-045	SPACER, 1/4 X 1/4
14	2	313-0000-072	WASHER, PLASTIC
15	6	311-0000-056	SCREW, TP, FH, 6-32 X 1/4, STNLS
15	6	311-0632-008	(OR) SCREW, TP, FH, 6-32 X 1/4, BRASS
16	1	216-9400-149	FACEPLATE
16	1	216-9400-156	(OR) FACEPLATE, BRASS
17	1	310-0832-015	SET SCREW, 8-32 X 7/16 (QTY 2 ON KBS MODELS)
18	2	310-0832-014	SCREW, FH SOC., 8-32 X 1/2 (QTY 4 ON KBS MODELS)
19	1	216-9400-162	MOUNTING PLATE
20	2	216-9400-152	MOUNTING BLOCK (QTY 4 ON KBS MODELS)
21	3	319-0000-044	SPACER, 1/4 X 3/8
22	7	310-0000-009	SCREW, FH SOC., 10-32 X 1/2
23	1	146-9400-035	ASSY, GEAR, 3/16
24	1	216-9400-206	WIRE RETAINER, VINYL TUBE, 5/16 X 3/4
25	1	146-9400-065	SIDE PLATE WELDMENT
26	1	216-9424-028	RLB SPRING (RLB MODELS ONLY)
27	1	146-9424-016	RLB PAWL WELDMENT (RLB MODELS ONLY)
28	1	216-9424-024	ACTUATOR
29	1	216-9400-047	RETAINER
30	1	146-9400-064	ASSY, LATCHBOLT, RH (SHOWN)
30	1	146-9400-063	(OR) ASSY, LATCHBOLT, LH
31	2	216-9400-026	SPACER, LATCHBOLT
32	1	160-9400-015	ASSY, LOCK STATUS SWITCH
33	1	216-9400-022	SPRING, TORSION
34	1	216-9400-238	LOCK BODY FRAME
35	1	316-0000-050	DOWEL PIN, 3/16 X 3/8
36	1	316-0000-038	DOWEL PIN, 3/16 X 3/4
37	2	310-0000-014	SCREW, SHCS, 2-56 X 3/8
38	1	315-0000-023	SPRING, DEADLATCH
39	1	216-9400-008	DEADLATCH
40	1	315-0000-022	SPRING, ACTUATOR RETURN
41	1	216-9424-025	RACK
42	1	216-9424-021	MOTOR KEY
43	1	315-0000-020	RETAINING RING
44	3	330-0000-133	FITTING, 90 BARB, 10-32 .078
45	1	330-1206-000	TUBING, 1/8 OD X 1/16 ID, POLYURETHANE, 5"
46	1	146-9400-096	ASSY, AIR CYLINDER
47	2	310-0632-006	SCREW, SHCS, 6-32 X 1/4
48	1	331-0000-053	SOLENOID
49	1	330-1206-000	TUBING, 1/8 OD X 1/16 ID, POLYURETHANE, 7"
50	1	SEE WIRING DIAGRAM	ASSY, 3 PIN MOLEX CONNECTOR
51	1	330-0000-414	TUBING COUPLING MALE
52	1	330-0000-415	TUBING COUPLING FEMALE (FIELD SIDE, NOT SHOWN)

\* USED ON KEY SWITCH MODELS ONLY (MULTIPLY QTY BY (2) FOR KEYED TWO SIDE MODELS)

## 9400 AIR CYLINDER PARTS LIST

<u>ITEM</u>	<u>QTY</u>	<u>PART NUMBER</u>	<u>DESCRIPTION</u>
1	1	315-0000-035	RETAINING RING, #N5000-106
2	1	216-9400-167	AIR CYLINDER CAP
3	1	216-9400-138	SPRING
4	1	313-0000-082	PISTON SEAL, PARKER #8404-0075
5	1	146-9400-095	ASSY, PISTON & ROD
6	1	216-9400-168	CYLINDER
7	1	330-0000-133	FITTING, 90 BARB, 10-32 X .078
8	1	313-0000-081	O-RING, #2-011



**AIRTEQ**

**9400 AIR CYLINDER ASSY**

**9400C SERIES LOCK**  
**RECOMMENDED SPARE PARTS LIST**

<b><u>PART NUMBER</u></b>	<b><u>DESCRIPTION</u></b>
<b>331-0000-053</b>	<b>SOLENOID</b>
<b>160-9400-013</b>	<b>ASSY, LOCK STATUS SWITCH</b>
<b>160-9400-020*</b>	<b>ASSY, KEY SWITCH</b>
<b>340-0000-133</b>	<b>SWITCH LEVER</b>
<b>216-9400-022</b>	<b>TORSION SPRING</b>
<b>315-0000-022</b>	<b>SPRING, ACTUATOR RETURN</b>
<b>315-0000-023</b>	<b>SPRING, DEADLATCH</b>
<b>330-0000-414</b>	<b>COUPLING HALF</b>
<b>330-0000-415</b>	<b>COUPLING HALF (FIELD SIDE)</b>
<b>400-9400-000</b>	<b>REPAIR KIT, 9400 AIR CYLINDER</b>
<b>340-0000-209</b>	<b>TERMINAL, MALE</b>

**\* NOT USED ON ALL MODELS**