

AIRLOCK 9500



The **9500** provides for pneumatic or manual locking / unlocking of swinging and sliding doors with vertical engagement of the latch bolt for locking. It can be operated from a remote location or by key at the door. For additional security, it is recommended that the 9500 lock be used with an Airteq high security door position sensor. An automatic door closer may also be used.

*No external latch bolt and deadlock actuator required.

APPLICATION:

Swing door lock for entrances, safety vestibules, corridors, inmate housing areas and swing gate applications (suitable for exterior locations). Surface-mounted lock tubes available for retrofit applications. Gate mount available. Sliding lock also available.

SECURITY LEVEL:

ASTM F 1577 Grade 2, Grade 1 optional

KEY CYLINDER:

Builders / Mortise pin tumbler (Sold Separately)

MOUNTING:

Jamb mounted in 2" frame

FIRE RATING:

UL10B - 3 Hour

(not available with these functions: KLHB,ELHB & RMERS)

STANDARD OPERATION

- Strike bolt releases when momentary signal is applied to the lock and remains unlocked for a specified interval, at which time the door can be moved to the open position, locking the door if closed, or allowing the door to be slam-locked if opened.
- Latch bolt engages vertically with strike bolt when slam-locked.
- Accepts a mortise key cylinder to allow for manual mechanical unlocking of the lock by key at the opening.
- Fail secure, unlocks when energized.

STANDARD FEATURES

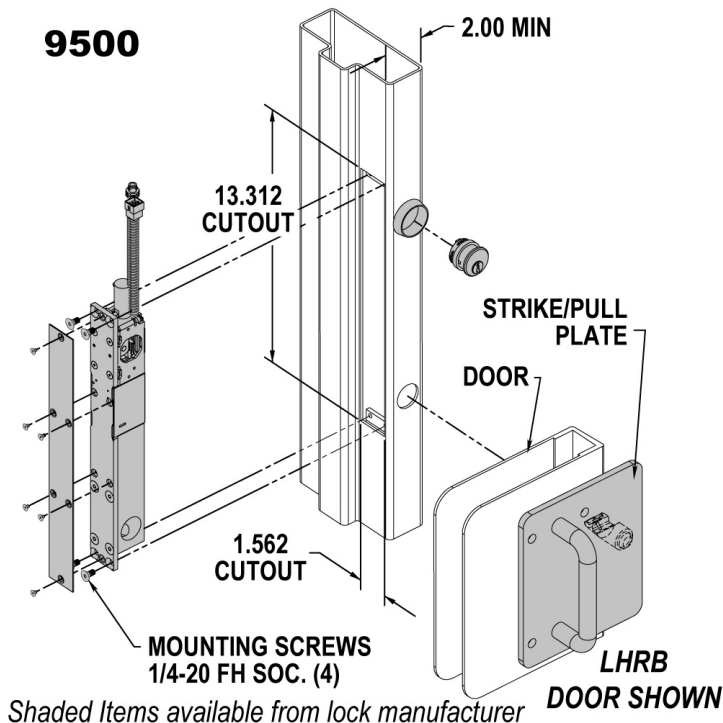
- Latch bolt locks in the vertical position
- Latch bolt has a full 3/4" throw
- Slam-locking
- Bolt position switch indicates latch bolt secure/unsecure position
- Keyed one or two sides
- Strike/Pull plate with factory installed strike bolt
- Quick connect air and electrical connectors
- Factory wired field-side pigtail
- Bright zinc and stainless steel parts
- Security ring supplied unfinished to HM manufacturer for frame installation and prime painting
- Stainless steel faceplate furnished with tamper resistant screws
- Bayonet style cylinder attachment for quick installation/removal.



2511 Midpark Rd., Montgomery, AL 36109

Phone: (800) 466-3007 Fax: (334) 286-6421

TECHNICAL SPECIFICATIONS



- **Body:** All steel construction
- **Mounting Plate:** 1/4", 1018 cold rolled steel, bright zinc plated
- **Faceplate:** Stainless Steel (US32D) with tamper resistant screws
- **Dimensions:** 1 1/2" x 13 1/4" x 1 3/4"
- **Latchbolt:** 3/4" high strength alloy steel, chrome plated
- **Latchbolt Throw:** 3/4"
- **Lock Status Switch:** 5 amp rated, UL recognized
- **Electrical Power Consumption:** 1.5 watt max. (.063 amps)
- **Solenoid Valve:** 24 VDC continuous rated
- **Operating Range:** 24 VDC ± 2VDC
- **Air Consumption:** 1 cubic inch of air per actuation
- **Air Pressure Range:** 80 to 120 p.s.i.
- **Electrical Connector:** Quick connector with color coded wiring harness
- **Strike/Pull Plate:** 5/16" steel plate, prime painted, with tamper resistant screws
- **Strikebolt:** 1" diameter, high strength alloy steel with anti-friction insert
- **UL10B:** 3 hour fire rating (see fire rating exceptions on cover page)
- **ASTM F 1577 Lock Function C200-P24**

HOW TO SPECIFY AND ORDER AN AIRTEQ 9500 LOCK

WHEN SPECIFYING . . .					
MODEL NO.	X "K1" OR "K2"	X FINISH	X OPTIONAL FEATURES		
** WHEN ORDERING . . .					
MODEL NO.	X SWING CODE	X FINISH	X OPTIONAL FEATURES	X JAMB DEPTH (WHERE REQ'D)	X DOOR THK.
EXAMPLE A:					
WHEN SPECIFYING . . .					
9500 X K2 X US32D AND DOOR SCHEDULE READS. . . "3 HR.LABEL"					
** WHEN ORDERING . . .					
9500 X O1 X US32D X UL X 9"JD X 2"DR.					
EXAMPLE B:					
WHEN SPECIFYING . . .					
9500 X K1 X US32D X ELHB					
** WHEN ORDERING . . .					
9500 X O3 X US32D X ELHB X 2"DR.					
** TEMPLATE NO. AND LATEST REVISIONS SHOULD BE COORDINATED WITH THE DOOR AND FRAME MANUFACTURER.					

SWING/HAND CHART

SWING CODE	DOOR HAND DIAGRAM
01 LHRB	
02 RHRB	
03 LHRB	
04 RHRB	
05 RH	
06 LH	

Optional Features

- ◆ **RMERS** - Remote Manual Emergency Release System: Latchbolt is retracted remotely by a manually operated valve in the event of a loss of normal control functions. Requires an additional air line to the lock and a separate emergency air system cabinet (sold separately). Fire rating not available with this feature.
- ◆ **GR1** - ASTM Grade 1 Rating: Meets ASTM F1577 Grade 1 impact standards
- ◆ **KCE** - Key Cylinder Extension: Recommended for locks keyed stop side or keyed two sides.

Optional Functions

- ◆ **RLHB** - Remote Latch Holdback: Latch bolt is retracted by push button at the control panel and remains retracted until button is pushed a second time (control feature). Fire rating not available with this function.
- ◆ **KS** - Key Switch: Door is electrically unlocked by key operated switch at the lock. Can be disabled by the control system.
- ◆ **LEK** - Local Electric Key Switch: Provides for one key which operates lock electrically only, while higher level keys will operate it both mechanically and electrically. Includes 'KS' function plus a special function key cylinder.
- ◆ **KLHB** - Key operated Latch HoldBack: Latch is retracted locally by key and remains mechanically retracted until relocked by key. Fire rating not available with this function.
- ◆ **ELHB** - Emergency Latch HoldBack: Latchbolt is retracted remotely and remains mechanically retracted until relocked at the door by key (includes KLHB feature). Fire rating not available with this function.

NOTE: PLEASE CONTACT AIRTEQ WHEN MORE THAN ONE FUNCTION IS REQUIRED ON THE SAME LOCK.

Warranty

Airteq® warrants its products against defects in material or workmanship for one year from the time of delivery. Airteq's sole obligation under the warranty is to repair, or at its option, to replace the product. The buyer shall have no other remedy. (All special, incidental and coincidental damages are excluded.) Written notice of breach of warranty must be given to Airteq® within the warranty period. The warranty does not cover damages resulting from improper installation or maintenance, accident or misuse. NO OTHER WARRANTIES AS TO MERCHANTABILITY OR OTHERWISE ARE MADE. A continuing product research program is ongoing. Airteq® reserves the right to incorporate products and specification changes at any time without notice.