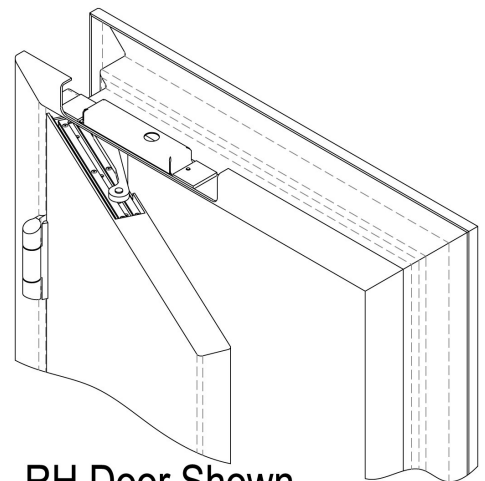
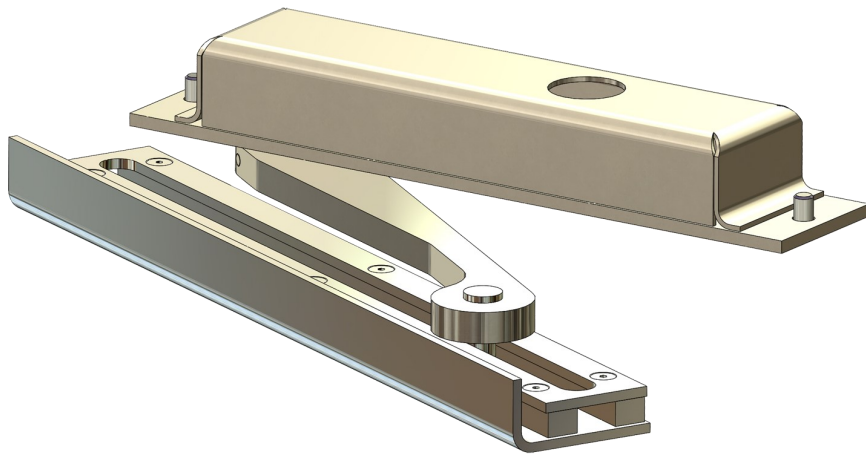


DOOR POSITION SENSOR - DPS 6100



RH Door Shown

A MORTISED MECHANICAL HIGH SECURITY DOOR POSITION SWITCH

- The Airtec 6100 series DPS offers maximum security for use in access-sensitive areas for swinging doors where a built-in mechanical door indication switch is desired.
- Available for doors up to 48" wide
- Flush mounted into a prepared frame and door
- Self Adjusting switch.
- Provided with security torx fasteners

STANDARD FEATURES

- 180° maximum door swing
- Simple, tool-free adjustment
- Supplied with 3 Pin connector with color coded pigtail
- Corrosion resistant

OPTIONAL FEATURES

- Field side pigtail for connection to locks by other manufacturers
- Double Circuit: Provides an additional SPDT switch to be triggered by the DPS, Specify -2

TECHNICAL DATA

- Handed: Specify LH Door or RH Door application
- Concealed (in Frame): 1" H x 1 1/2" W x 7 1/2" L
- Control Arm: 5/16" thick Steel, zinc plated
- Door Mounted Track: .75" H x 1.53" W x 9.375" L
- Face Plate: 11ga (1/8") Stainless Steel
- Switch Rated for 5A at 30VDC & 250 VAC (SPDT)

Warranty

Airtec warrants its products against defects in material or workmanship for one year from the time of delivery. Airtec's sole obligation under the warranty is to repair, or at its option, to replace the product. The buyer shall have no other remedy. (All special, incidental and coincidental damages are excluded.) Written notice of breach of warranty must be given to Airtec within the warranty period. The warranty does not cover damages resulting from improper installation or maintenance, accident or misuse. NO OTHER WARRANTIES AS TO MERCHANTABILITY OR OTHERWISE ARE MADE. A continuing product research program is ongoing. Airtec reserves the right to incorporate products and specification changes at any time without notice.



2511 Midpark Rd., Montgomery, AL 36109
Phone: (800) 466-3007 Fax: (334) 286-6421