

DEADBOLT 5010B



A BUILDER'S HARDWARE KEY CYLINDER MECHANICAL DEADBOLT

- The Airteq 5010B is a medium security deadbolt for use on access panels, control cabinets, plumbing chases and other small swinging doors where the security of a deadbolt is required.
- The 5010B deadbolt is machined to close tolerances providing smooth reliable operation.

STANDARD FEATURES

- Hot rolled steel deadbolt
- Deadbolt has 5/8" throw
- Designed to accept most builder's hardware mortise key cylinder
- Keyed one side(K1)
- High tensile strength alloy steel case
- All steel parts plated for corrosion resistance

OPTIONAL FEATURES

- Hollow metal or plate mounting
- Mortise keeper with dust box (610-4DB)
- Mortise keeper with deadbolt position switch(610-4BL)
- Surface mounted keeper
- Builder's thumb turn in place of key cylinder

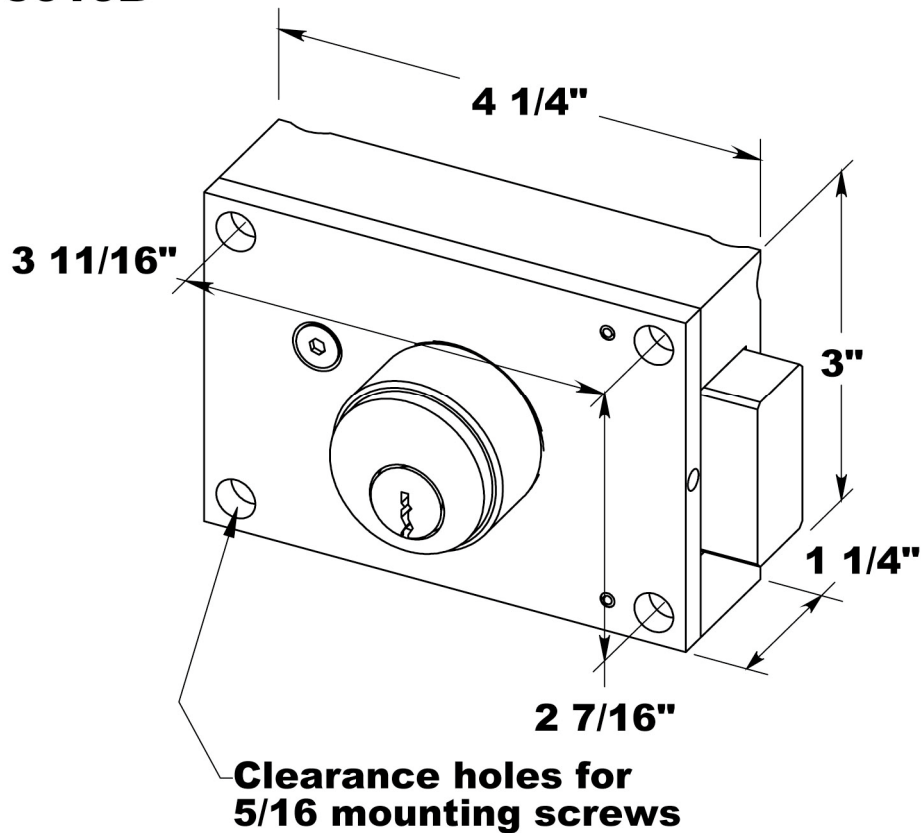


2511 Midpark Rd., Montgomery, AL 36109

Phone: (800) 466-3007 Fax: (334) 286-6421

TECHNICAL SPECIFICATIONS

5010B



NOTE: This illustration is for information use only. Do not use for construction.

- **Case:** High strength alloy steel, bright zinc plated
- **Cover:** Cold rolled steel, bright zinc plated
- **Bolt:** Hot rolled steel, bright zinc plated
- **Bolt Throw:** 5/8"
- **Dimensions:** 1 1/4" x 4 1/2" x 3"
- **Key Cylinder:** Accepts most builders' hardware cylinder with standard Yale-type cam
- **Deadbolt Position Switch:** SPDT 15 amp @ 125 VAC, 500 ma @ 125 VDC. UL recognized.
- **ASTM F 1577 Lock Function:** M 103

Warranty

Airteq warrants its products against defects in material or workmanship for one year from the time of delivery. Airteq's sole obligation under the warranty is to repair, or at its option, to replace the product. The buyer shall have no other remedy. (All special, incidental and coincidental damages are excluded.) Written notice of breach of warranty must be given to Airteq within the warranty period. The warranty does not cover damages resulting from improper installation or maintenance, accident or misuse. NO OTHER WARRANTIES AS TO MERCHANTABILITY OR OTHERWISE ARE MADE. A continuing product research program is ongoing. Airteq reserves the right to incorporate products and specification changes at any time without notice.