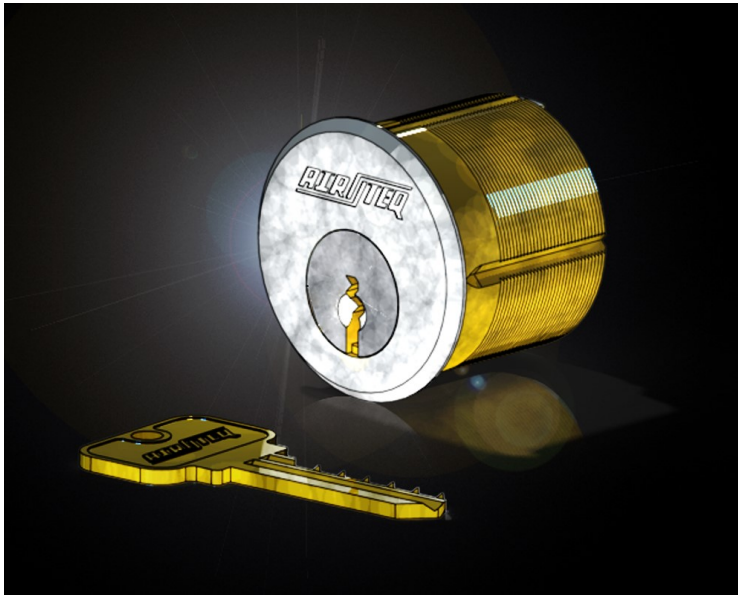


# MOGUL CYLINDER



## A HIGH SECURITY 6 PIN TUMBLER MOGUL CYLINDER

- The Airteq Mogul Cylinder provides the answer to the high security needs demanded by today's detention facilities.
- The 6 tumbler vertical chamber design provides an order of magnitude more key combinations than standard five tumbler models. This feature, combined with the sheer physical size of the Airteq cylinder provides the user with the highest security uni-axial mogul cylinder available.
- Machined to close tolerances from high quality brass, all cylinders are thoroughly tested in order to provide years of trouble free service.
- Stainless steel pin tumblers and precision ground cylinder balls insure smooth key operation, reduced wear and long life-cycle.
- The use of the latest technology in computer generated master key systems insures that no incidental cross keying will occur within the same facility or between any two facilities in the same geographic region - we guarantee it.

### STANDARD FEATURES

- 6 tumbler security
- Hardened drill resistant insert
- Change, master and grand master keying
- Stainless steel pin tumblers
- Stainless steel cylinder engagement balls
- Hard alloy bronze keys provide extended life
- US26D finish
- Clear Coat

### OPTIONAL FEATURES

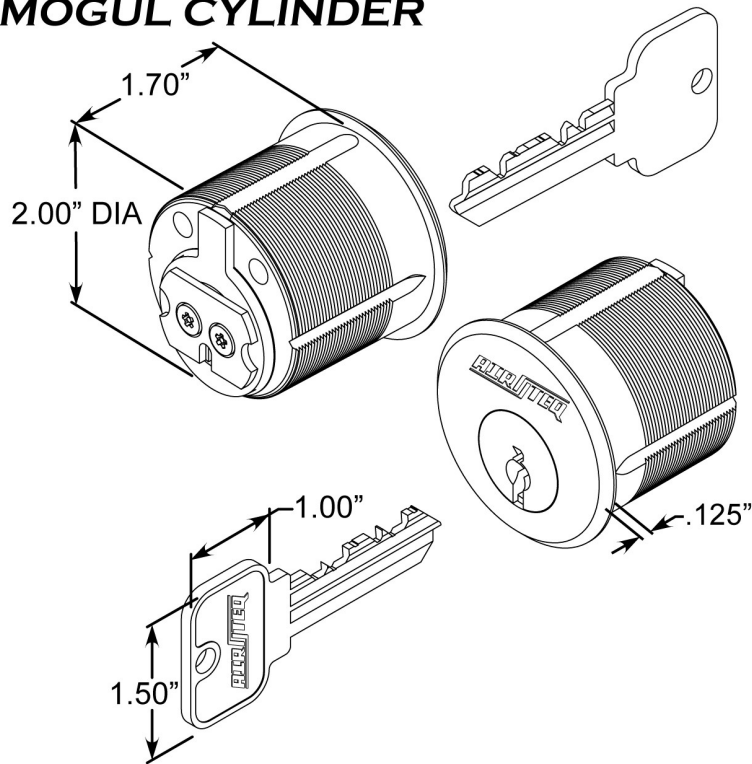
- US4 finish
- Angled cam
- Inmate access option



2511 Midpark Rd., Montgomery, AL 36109  
Phone: (800) 466-3007 Fax: (334) 286-6421

# TECHNICAL SPECIFICATIONS

## MOGUL CYLINDER



NOTE: This illustration is for information use only. Do not use for construction.

- **Body:** All brass construction. Machined from 2 1/4" bar stock
- **Master Ring:** Alloy bronze
- **Core:** All brass construction
- **Tumbler Pins:** 303 stainless steel with enhanced profile for reduced friction
- **Drill Ring:** Through hardened alloy steel
- **Overall Dimensions:** 2 1/4" Dia. X 2 1/32"
- **Key:** Investment cast silicon bronze alloy. Key bow dimensions: 1" x 1 1/2"

## Warranty

Airteq warrants its products against defects in material or workmanship for one year from the time of delivery. Airteq's sole obligation under the warranty is to repair, or at its option, to replace the product. The buyer shall have no other remedy. (All special, incidental and coincidental damages are excluded.) Written notice of breach of warranty must be given to Airteq within the warranty period. The warranty does not cover damages resulting from improper installation or maintenance, accident or misuse. NO OTHER WARRANTIES AS TO MERCHANTABILITY OR OTHERWISE ARE MADE. A continuing product research program is ongoing. Airteq reserves the right to incorporate products and specification changes at any time without notice.