

MOTORGLIDE 7320



APPLICATION: Sliding door device for cell fronts

SECURITY LEVEL: ASTM F 1643 Grade 1

FIRE RATING: UL10B - 3 Hour

RELEASE SYSTEM: Remote controlled from console.
Local manual release in housing with special tool.

STANDARD FEATURES

- Locking system may be manually released, moved and slam-locked with automatic mechanical deadlocking.
- The door may be stopped or instantly reversed at any point in its travel without lost motion.
- Side motion is limited to 1/16 inch or less, significantly reducing rattle induced noise.
- Closing force of door is independently adjustable from the standard 40 lbs. plus or minus 15 lbs.
- Internal door position and lock status switches provide for deadlocked closed and deadlocked open indication.
- Fail-Secure (unlocks when energized)
- Device is non-handed for ease of field installation
- 3 point locking

OPTIONAL FEATURES

- 4 point locking
- Housing cover locking system.
- Adjustable door skirt to minimize floor to door gap: (Specify DS).
- Hinged housing cover : (Specify HHC)
- Fire rated: (Specify FR)

The 7320 is a maximum security, electrically powered, motorized rack and pinion sliding door device for use in applications requiring full remote control of sliding doors. It provides for remote unlocking, locking and movement of sliding doors for cell fronts/runs. The drive system provides precise control and smooth operation.

The door operator is contained in a secure, continuous or individual compact housing. Surface mounted locking column at rear is totally enclosed to resist tampering. The device provides for standard 3 point and optional 4 point locking in both the open and closed position with automatic mechanical deadlocking.

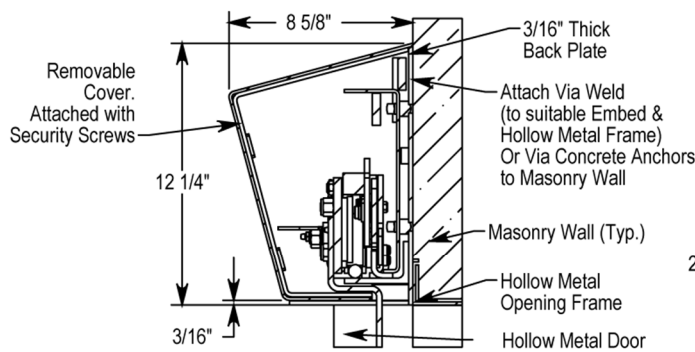
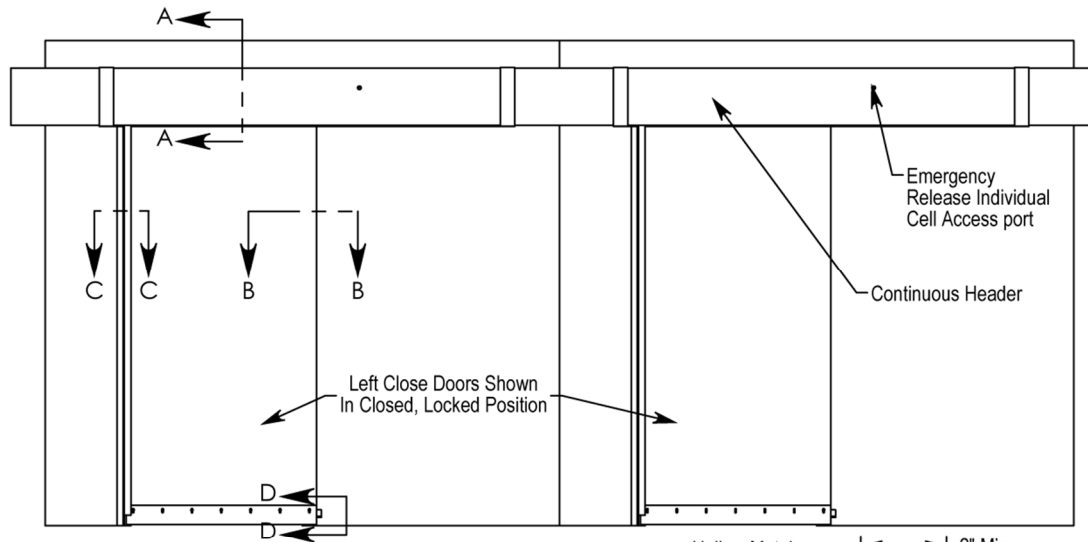
Doors may be individually unlocked manually at the door in the event of an emergency or power failure. The door travels on a 5/8" O.D. solid steel track, using needle bearing steel rollers. The device provides for convenient maintenance for maximum reliability and quiet operation.



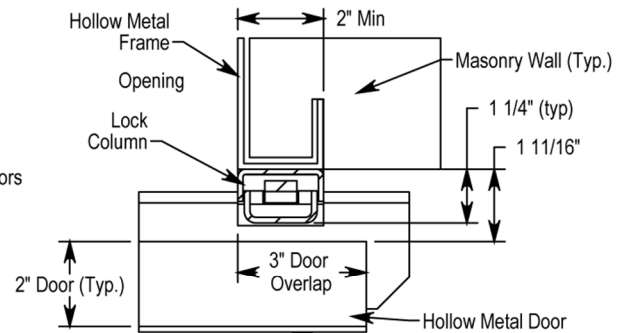
2511 Mid Park Road, Montgomery, AL 36109
Phone: (800) 466-3007 Fax: (334)286-6421

Revised 12/01/2020

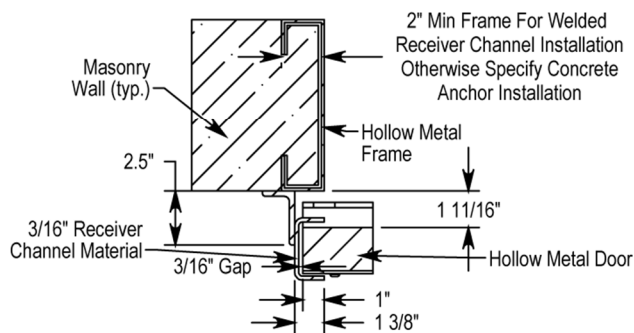
TECHNICAL SPECIFICATIONS



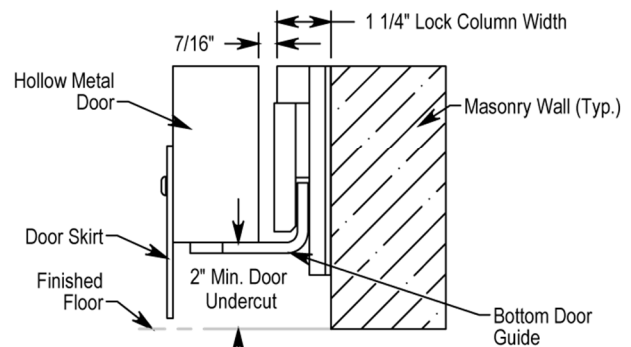
A:A Header Detail



B:B Lock Column Detail



C:C Receiver Channel Detail



D:D Bottom Door Guide Detail

Specifications

- **Housing Cover:** 10 gauge steel, 12-1/4" high x 8-5/8" deep, with 15 degree slope top.
- **Receiver Column:** 3/16" steel channel
- **Lock Mechanism:** Three/Four-point locking column, surface mounted with automatic mechanical deadlock..
- **Fails Secure:** Unlocks when energized
- **Indicator Switches:** 15 amps rated, UL recognized. Monitors door locked open and closed,
- **Motor & Electrical Power Requirements:** 1/10 HP—120 VAC motor, 60 HZ, 1ph, 1.5amp.
- **Roller Assembly:** Steel roller.
- **Rate of Travel:** 3'-0" in 5 seconds.

Warranty

Airteq warrants its products against defects in material or workmanship for one year from the time of delivery. Airteq's sole obligation under the warranty is to repair, or at its option, to replace the product. The buyer shall have no other remedy. (All special, incidental and coincidental damages are excluded.) Written notice of breach of warranty must be given to Airteq within the warranty period. The warranty does not cover damages resulting from improper installation or maintenance, accident or misuse. NO OTHER WARRANTIES AS TO MERCHANTABILITY OR OTHERWISE ARE MADE. A continuing product research program is ongoing. Airteq reserves the right to incorporate products and specification changes at any time without notice.