

MOTORLOCK 9424



The **9424** provides for electric or manual locking / unlocking of swinging doors. It can be operated from a remote location or by key at the door. For additional security, it is recommended that the 9424 lock be used with an Airteq high security door position sensor. An automatic door closer may also be used.

APPLICATION:

Swing door lock for corridors, inmate housing and administrative areas, suitable for exterior locations.

SECURITY LEVEL:

ASTM F 1577 Grade 2, Grade 1 optional

KEY CYLINDER:

Builders / Mortise pin tumbler (Sold Separately)

MOUNTING:

Jamb mounted in 2" frame

FIRE RATING:

UL10B - 1 1/2 Hour

(not available with these functions: KLHB,ELHB & RLHB)

STANDARD OPERATION

- Latch bolt retracts when momentary signal is applied to the lock and remains retracted for a specified interval, at which time the latchbolt extends, locking the door if closed, or allowing the door to be slam-locked if open.
- Provides automatic deadlocking, even in the event of a total loss of power.
- Accepts a mortise key cylinder to allow for manual mechanical unlocking of the lock by key at the opening.
- Fail secure, unlocks when energized.

STANDARD FEATURES

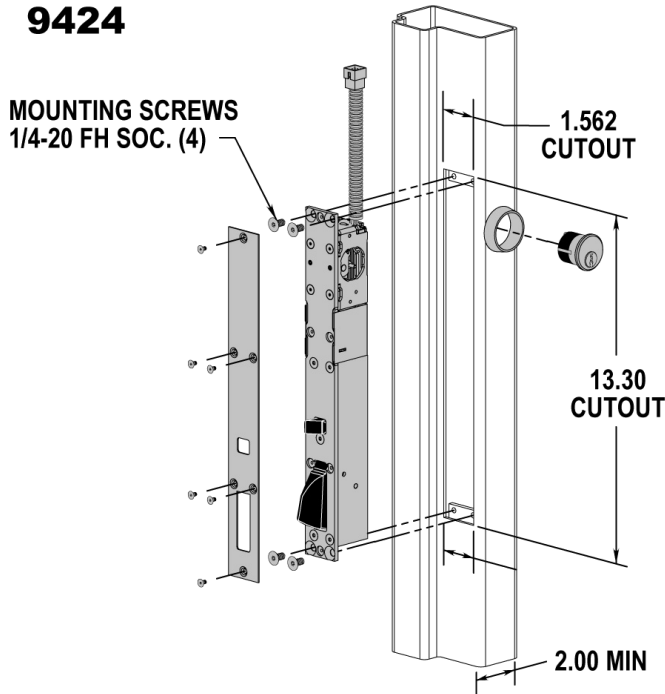
- Latch bolt has a full 3/4" throw
- Slam-locking with automatic mechanical deadlock
- Lock status switch indicates deadlocked latch bolt
- Keyed one or two sides
- Nickel plated Strike/Keeper furnished with tamper resistant screws
- Quick connect electrical connector
- Factory wired field-side pigtail
- Bright zinc and stainless steel parts
- Security ring, supplied unfinished to HM manufacturer for frame installation and prime painting
- Stainless steel faceplate furnished with tamper resistant screws
- Bayonet style cylinder attachment for quick installation/removal.



2511 Midpark Rd., Montgomery, AL 36109
Phone: (800) 466-3007 Fax: (334) 286-6421

TECHNICAL SPECIFICATIONS

9424



Shaded Items available from lock manufacturer **LHRB DOOR**

- **Body:** All steel construction
- **Mounting Plate:** 3/16", 1018 cold rolled steel, bright zinc plated
- **Faceplate:** Stainless Steel (US32D) with tamper resistant screws
- **Dimensions:** 1 1/2" x 13 1/4" x 1 3/4"
- **Latchbolt:** High strength alloy steel, hardened to RC 60
- **Latchbolt Throw:** 3/4" - Flush when retracted
- **Deadlock Actuator:** Plunger type, 1018 cold rolled steel hardened to RC 32
- **Lock Status Switch:** 5 amp rated, UL recognized
- **Electrical Power Consumption:** 36 watt max. at 24 VDC, 1.5 amps
- **Motor:** 2 phase, bi-polar, brushless linear actuator
- **Operating Range:** 24 VDC ± 2VDC
- **Electrical Connector:** Quick connector with color coded wiring harness
- **Latchbolt Shear Strength:** 20,000 pounds
- **Strike/Keeper:** 1/8" hardened 1018 cold rolled steel, nickel plated with tamper resistant screws
- **UL10B:** 1 1/2 hour fire rating (see fire rating exceptions on cover page)
- **ASTM F 1577 Lock Function C200-P24**

HOW TO SPECIFY AND ORDER AN AIRTEQ 9424 LOCK

WHEN SPECIFYING . . .										
MODEL NO.	X	"K1" OR "K2"	X	FINISH	X	OPTIONAL FEATURES				
** WHEN ORDERING . . .										
MODEL NO.	X	SWING CODE	X	FINISH	X	OPTIONAL FEATURES	X	JAMB DEPTH (WHERE REQ'D)	X	DOOR THK.
EXAMPLE A:										
WHEN SPECIFYING . . .										
9424 X K2 X US32D X KLHB										
** WHEN ORDERING . . .										
9424 X 01 X US32D X KLHB X 9"JD X 2"DR.										
EXAMPLE B:										
WHEN SPECIFYING . . .										
9424 X K1 X US32D X RLHB AND SPECIFICATION READS . . .										
** WHEN ORDERING . . .										
9424 X 03 X US32D X RLHB X KS X 2"DR. "KEY SWITCH"										
** TEMPLATE NO. AND LATEST REVISIONS SHOULD BE COORDINATED WITH THE DOOR AND FRAME MANUFACTURER.										

SWING/HAND CHART

SWING CODE	DOOR HAND DIAGRAM *COVER PLATE
01 LHRB	
02 RHRB	
03 LHRB	
04 RHRB	
05 RH	
06 LH	

Optional Features

- ◆ **GR1** - ASTM Grade 1 Rating: Meets ASTM F1577 Grade 1 impact standards.
- ◆ **KCE** - Key Cylinder Extension: Recommended for locks keyed stop side or keyed two sides.

Optional Functions

- ◆ **RLHB** - Remote Latch Holdback: Latch bolt is retracted by push button at the control panel and remains retracted until button is pushed a second time (control feature). Fire rating not available with this function.
- ◆ **KS** - Key Switch: Door is electrically unlocked by key operated switch at the lock. Can be disabled by the control system.
- ◆ **LEK** - Local Electric Key Switch: Provides for one key which operates lock electrically only, while higher level keys will operate it both mechanically and electrically. Includes 'KS' function plus a special function key cylinder.
- ◆ **KLHB** - Key operated Latch HoldBack: Latch is retracted locally by key and remains mechanically retracted until relocked by key. Fire rating not available with this function.
- ◆ **ELHB** - Emergency Latch HoldBack: Latchbolt is retracted remotely and remains mechanically retracted until relocked at the door by key (includes KLHB feature). Fire rating not available with this function.
- ◆ **RLB** - Remote Latch Back: Latchbolt is retracted remotely and remains retracted until door is opened approximately 2". Door relocks when closed.

NOTE: PLEASE CONTACT AIRTEQ WHEN MORE THAN ONE FUNCTION IS REQUIRED ON THE SAME LOCK.

Warranty

Airteq® warrants its products against defects in material or workmanship for one year from the time of delivery. Airteq's sole obligation under the warranty is to repair, or at its option, to replace the product. The buyer shall have no other remedy. (All special, incidental and coincidental damages are excluded.) Written notice of breach of warranty must be given to Airteq® within the warranty period. The warranty does not cover damages resulting from improper installation or maintenance, accident or misuse. NO OTHER WARRANTIES AS TO MERCHANTABILITY OR OTHERWISE ARE MADE. A continuing product re-