

# MOTORLOCK 9524



The **9524** provides for electric or manual locking / unlocking of swinging doors and sliding doors with vertical engagement of the latch bolt for locking. It can be operated from a remote location or by key at the door. For additional security, it is recommended that the 9524 lock be used with an Airteq high security door position sensor.

\*No external latch bolt or deadlock actuator required.

## APPLICATION:

Swing door lock for entrances, safety vestibules, corridors, inmate housing areas and swing gate applications (suitable for exterior locations). Surface-mounted lock tubes available for retrofit applications. Gate mount available. Sliding lock also available.

## SECURITY LEVEL:

ASTM F 1577 Grade 2, Grade 1 optional

## KEY CYLINDER:

Builders / Mortise pin tumbler (Sold Separately)

## MOUNTING:

Jamb mounted in 2" frame

## FIRE RATING:

UL10B - 3 Hour

(not available with these functions: RLHB, KLHB, ELHB )

## STANDARD OPERATION

- Latch bolt releases when momentary signal is applied to the lock and remains unlocked for a specified interval, at which time the door can be moved to the open position, locking the door if closed, or allowing the door to be slam-locked if opened.
- Latch bolt engages vertically with strike bolt when slam-locked.
- Accepts a mortise key cylinder to allow for manual mechanical unlocking of the lock by key at the opening.
- Fail secure, unlocks when energized.

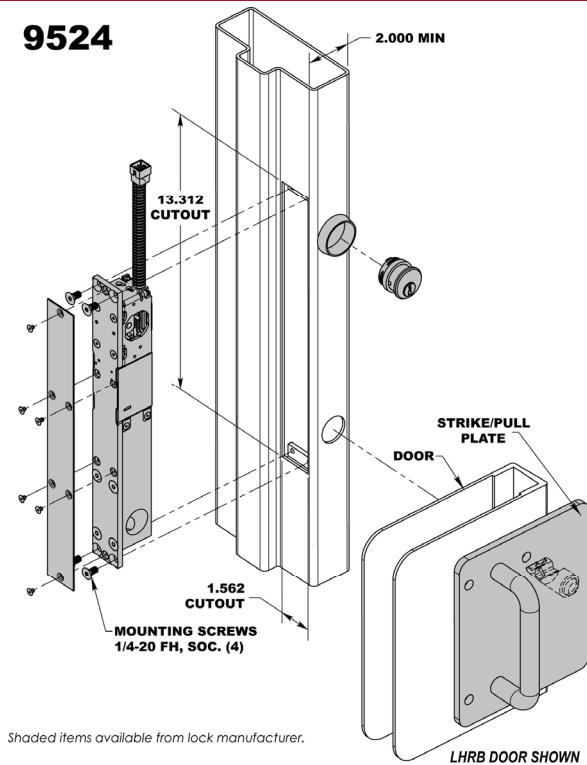
## STANDARD FEATURES

- Latch bolt locks in the vertical position
- Slam-locking
- Bolt position switch indicates latch bolt secure/unsecure position
- Keyed one or two sides
- Strike/Pull plate with factory installed bolt
- Quick connect electrical connector
- Factory wired field-side pigtail
- Bright zinc and stainless steel parts
- Security ring, supplied unfinished to HM manufacturer for frame installation and prime painting
- Stainless steel faceplate furnished with tamper resistant screws
  - Bayonet style cylinder attachment for quick installation/removal.



2511 Midpark Rd., Montgomery, AL 36109  
Phone: (800) 466-3007 Fax: (334) 286-6421

# TECHNICAL SPECIFICATIONS



Shaded items available from lock manufacturer.

- **Body:** All steel construction
- **Mounting Plate:** 3/16", 1018 cold rolled steel, bright zinc plated
- **Faceplate:** Stainless Steel (US32D) with tamper resistant screws
- **Dimensions:** 1 1/2" x 13 1/4" x 1 3/4"
- **Latchbolt:** High strength alloy steel, hardened to RC 60
- **Latchbolt Throw:** 3/4" - Flush when retracted
- **Deadlock Actuator:** Plunger type, 1018 cold rolled steel hardened to RC 32
- **Lock Status Switch:** 5 amp rated, UL recognized
- **Electrical Power Consumption:** 36 watt max. at 24 VDC, 1.5 amps
- **Motor:** 2 phase, bi-polar, brushless linear actuator
- **Operating Range:** 24 VDC ± 2VDC
- **Electrical Connector:** Quick connector with color coded wiring harness
- **Strike/Pull Plate:** 5/16" steel plate, prime painted, with tamper resistant screws
- **Strikebolt:** 1" diameter, high strength alloy steel with anti-friction insert
- **UL10B:** 3 hour fire rating (see fire rating exceptions on cover page)
- **ASTM F 1577 Lock Function C200-P24**

## HOW TO SPECIFY AND ORDER AN AIRTEQ 9524 LOCK

WHEN SPECIFYING . . .										
MODEL NO.	X	"K1" OR "K2"	X	FINISH	X	OPTIONAL FEATURES				
** WHEN ORDERING . . .										
MODEL NO.	X	SWING CODE	X	FINISH	X	OPTIONAL FEATURES	X	JAMB DEPTH (WHERE REQ'D)	X	DOOR THK.
EXAMPLE A:										
WHEN SPECIFYING . . .										
9524 X K2 X US32D X RLHB										
** WHEN ORDERING . . .										
9524 X 01 X US32D X RLHB X 9"JD X 2"DR.										
EXAMPLE B:										
WHEN SPECIFYING . . .										
9524 X K1 X US4 X ELHB AND SPECIFICATION READS . . .										
** WHEN ORDERING . . . "KEY SWITCH"										
9524 X 03 X US4 X ELHB X KS X 2"DR.										
** TEMPLATE NO. AND LATEST REVISIONS SHOULD BE COORDINATED WITH THE DOOR AND FRAME MANUFACTURER.										

## SWING/HAND CHART

SWING CODE	DOOR HAND DIAGRAM
01 LHRB	
02 RHRB	
03 LHRB	
04 RHRB	
05 RH	
06 LH	

### Optional Features

- ◆ **GR1** - ASTM Grade 1 Rating: Meets ASTM F1577 Grade 1 impact standards
- ◆ **KCE** - Key Cylinder Extension: Recommended for locks keyed stop side or keyed two sides.

### Optional Functions

- ◆ **RLHB** - Remote Latch Holdback: Latch bolt is retracted by push button at the control panel and remains retracted until button is pushed a second time (control feature). Fire rating not available with this function.
- ◆ **KS** - Key Switch: Door is electrically unlocked by key operated switch at the lock. Can be disabled by the control system.
- ◆ **LEK** - Local Electric Key Switch: Provides for one key which operates lock electrically only, while higher level keys will operate it both mechanically and electrically. Includes 'KS' function plus a special function key cylinder.
- ◆ **KLHB** - Key operated Latch HoldBack: Latch is retracted locally by key and remains mechanically retracted until relocked by key.
- ◆ **ELHB** - Emergency Latch HoldBack: Latchbolt is retracted remotely and remains mechanically retracted until relocked at the door by key (includes KLHB feature). Fire rating not available with this function.

**NOTE: PLEASE CONTACT AIRTEQ WHEN MORE THAN ONE FUNCTION IS REQUIRED ON THE SAME LOCK.**

### Warranty

Airteq warrants its products against defects in material or workmanship for one year from the time of delivery. Airteq's sole obligation under the warranty is to repair, or at its option, to replace the product. The buyer shall have no other remedy. (All special, incidental and coincidental damages are excluded.) Written notice of breach of warranty must be given to Airteq within the warranty period. The warranty does not cover damages resulting from improper installation or maintenance, accident or misuse. NO OTHER WARRANTIES AS TO MERCHANTABILITY OR OTHERWISE ARE MADE. A continuing product research program is ongoing. Airteq reserves the right to incorporate products and specification changes at any time without notice.