

# MOTORLOCK 9912M



The **9912M** provides for electric or manual locking / unlocking of swinging doors. It can be operated from a remote location or by key at the door. For additional security, it is recommended that the 9912M lock be used with an Airteq high security door position sensor. An automatic door closer may also be used.

## APPLICATION:

Swing door lock for entrances, safety vestibules, corridors, inmate housing. Suitable for exterior locations.

## SECURITY LEVEL:

ASTM F 1577 Grade 1

## KEY CYLINDER:

Mogul cylinder or builders key cylinder with mogul sleeve (sold separately).

## MOUNTING:

Jamb mounted with either hinge side or stop side access cover.

## FIRE RATING:

UL10B - 3 Hour

(not available with these functions: KLHB,ELHB & RLHB)

## STANDARD FEATURES

- Latch bolt has a full 1" throw
- Slam-locking with automatic mechanical deadlock
- Roller-type deadlock actuator
- Lock status switch indicates deadlocked latchbolt
- Keyed one or two sides
- Stainless Steel Strike/Keeper furnished with tamper resistant screws
- Quick connect electrical connectors
- Factory wired field-side pigtail
- RLB (Remote Latch Back)  
When unlocked, the latchbolt remains retracted until door is opened
- Plated and stainless steel parts

## STANDARD OPERATION

- Latchbolt retracts when power is applied to the lock and remains retracted until the door is opened approximately 2". Door relocks when closed.
- Provides automatic deadlocking, even in the event of a total loss of power.
- Fail secure, unlocks when energized.

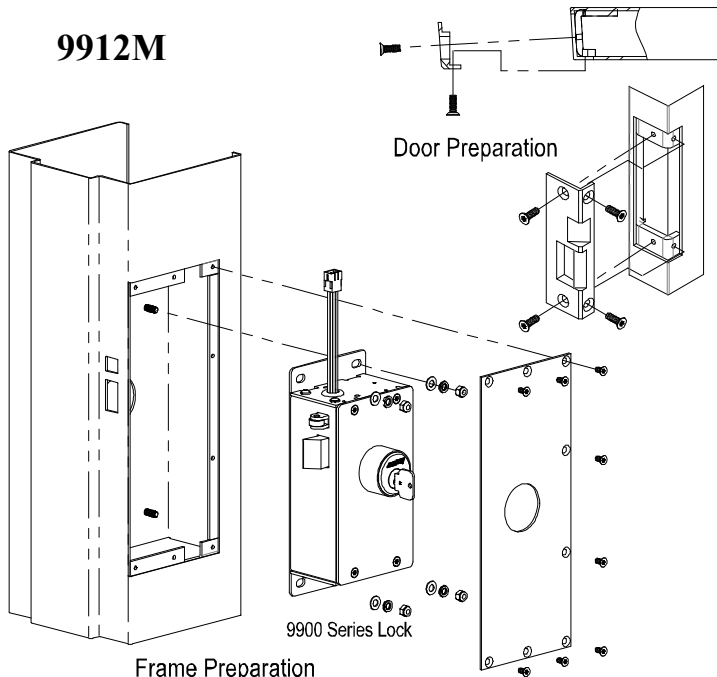


2511 Midpark Rd., Montgomery, AL 36109  
Phone: (800) 466-3007 Fax: (334) 286-6421



# TECHNICAL SPECIFICATIONS

## 9912M



- **Body:** All steel construction
- **Dimensions:** 12"H x 5 7/16W x 3 1/2"D
- **Latchbolt:** Hardened Stainless Steel
- **Latchbolt Throw:** 1" - Flush when retracted
- **Deadlock Actuator:** Roller type, stainless steel
- **Lock Status Switch:** 15 amp rated, UL recognized
- **Electrical Power Consumption:** 120VAC, 1 phase 60hz  
2.5 amp in-rush, 1.75 amp running
- **Electrical Connector:** Quick Connect electrical plug
- **Strike/Keeper:** Hardened Stainless Steel with pin-torx screws
- **UL10B:** 3 hour fire rating (see fire rating exceptions on cover page)
- **ASTM F 1577 Grade 1 Certified**

Note: Drawing for illustration only. Reference template for specific information

## HOW TO SPECIFY AND ORDER AN AIRTEQ 9912M LOCK

WHEN SPECIFYING . . .								ALSO SPECIFY . . .									
MODEL NO.	"K1" OR "K2"	FINISH	SCREW HEAD STYLE	OPTIONAL FEATURES	CYLINDER TYPE & MANUFACTURER	CYLINDER EXTENSION IF REQUIRED	JAMB DEPTH (WHERE REQ.)	DOOR THK.									
MODEL NO.	X	X	X	X	X	X	X	X									
* WHEN ORDERING . . .																	
MODEL NO.	X	SWING CODE	X	CYL. TYPE & MFR.	X	FRAME CONDITION	X	FINISH	X	SCREW HEAD STYLE	X	OPTIONAL FEATURES	X	JAMB DEPTH (WHERE REQ.)	X	DOOR THK.	X
EXAMPLE A: SPECIFICATION READS . . ."KEYED 1 SIDE, MOGUL CYLINDER & KEY SWITCH"																	
WHEN SPECIFYING . . .																	
9912M X K1 X US32D X TORX X KS																	
* WHEN ORDERING . . .																	
9912M X 13 X AIRTEQ MOGUL X FR. POCKET X US32D X TORX X KS X 2"DR.																	
EXAMPLE B: SPECIFICATION READS . . ."KEYED 2 SIDES, CYLINDER EXTENSION & NO LATCHBACK REQUIRED"																	
WHEN SPECIFYING . . .																	
9912M X K2 X US32D X TORX X KCE X NRLB																	
* WHEN ORDERING . . .																	
9912M X 08 X ASSA MOGUL X KCE X US32D X TORX X NRLB X 9"JD X 2"DR.																	
* TEMPLATE NO. AND LATEST REVISIONS SHOULD BE COORDINATED WITH THE DOOR AND FRAME MANUFACTURER																	

## SWING/HAND CHART

SWING CODE	DOOR HAND DIAGRAM * is COVER PLATE SIDE	SWING CODE	DOOR HAND DIAGRAM * is COVER PLATE SIDE
07 LHRB		08 RHRB	
09 RH		10 LH	
11 LHRB		12 RHRB	
13 RH		14 LH	

### Optional Features

- ◆ **KR** - Knob Release: Latchbolt is retracted by knob release on one side of lock. Knob is always active. When ordering, specify hinge side (HS) or stop side (SS).
- ◆ **KCE** - Key Cylinder Extension: Recommended for locks keyed stop side or keyed two sides.

### Optional Functions

- ◆ **NRLB** - No Remote Latch Back: Latch bolt extends immediately when power is removed or key is moved to the locked position.
- ◆ **KS** - Key Switch: Door is electrically unlocked by key operated switch at the lock. Can be disabled by the control system.
- ◆ **LEK** - Local Electric Key Switch: Provides for one key which operates lock electrically only, while higher level keys will operate it both mechanically and electrically. Includes 'KS' function plus a special function key cylinder.
- ◆ **KLHB** - Key operated Latch Hold Back: Latch is retracted locally by key and remains mechanically retracted until relocked by key.
- ◆ **ELHB** - Emergency Latch Hold Back: Latch bolt is retracted remotely and remains mechanically retracted until relocked at the door by key
- ◆ **RLHB** - Remote Latch Hold Back: Latch bolt is retracted by unlock control signal and remains retracted until lock receives a relock control signal. RLHB is typically combined with NRLB

**NOTE: PLEASE CONTACT AIRTEQ WHEN MORE THAN ONE FUNCTION IS REQUIRED ON THE SAME LOCK.**

### Warranty

Airteq warrants its products against defects in material or workmanship for one year from the time of delivery. Airteq's sole obligation under the warranty is to repair, or at its option, to replace the product. The buyer shall have no other remedy. (All special, incidental and coincidental damages are excluded.) Written notice of breach of warranty must be given to Airteq within the warranty period. The warranty does not cover damages resulting from improper installation or maintenance, accident or misuse. NO OTHER WARRANTIES AS TO MERCHANTABILITY OR OTHERWISE ARE MADE. A continuing product research program is ongoing. Airteq reserves the right to incorporate products and specification changes at any time without notice.