

DEADLATCH 5030K



A HIGH SECURITY KNOB OPERATED DEADLATCH

- The Airteq 5030K is a high security deadlatch for use on cell, corridor, dayroom and other sliding doors where slam-locking and the security of an automatic deadlatch are required.
- The 5030K is machined to close tolerances providing smooth reliable operation.
- The Airteq 5030K is knob actuated. The knob is always enabled—No key operation.
- Sliding door normally requires a Model 7205 or 7205s Trackset.

STANDARD FEATURES

- Alloy steel deadbolt hardened to Rc 60
- Latchbolt has 5/8" lift
- Single piece brass knob with satin chrome plate finish
- Knob one side (KN1)
- High tensile strength alloy steel case
- All steel parts plated for corrosion resistance

OPTIONAL FEATURES

- Knob two sides (KN2)
- Mortise keeper
- Mortise keeper with latchbolt position switch
- Hollow Metal mount
- Grill mount



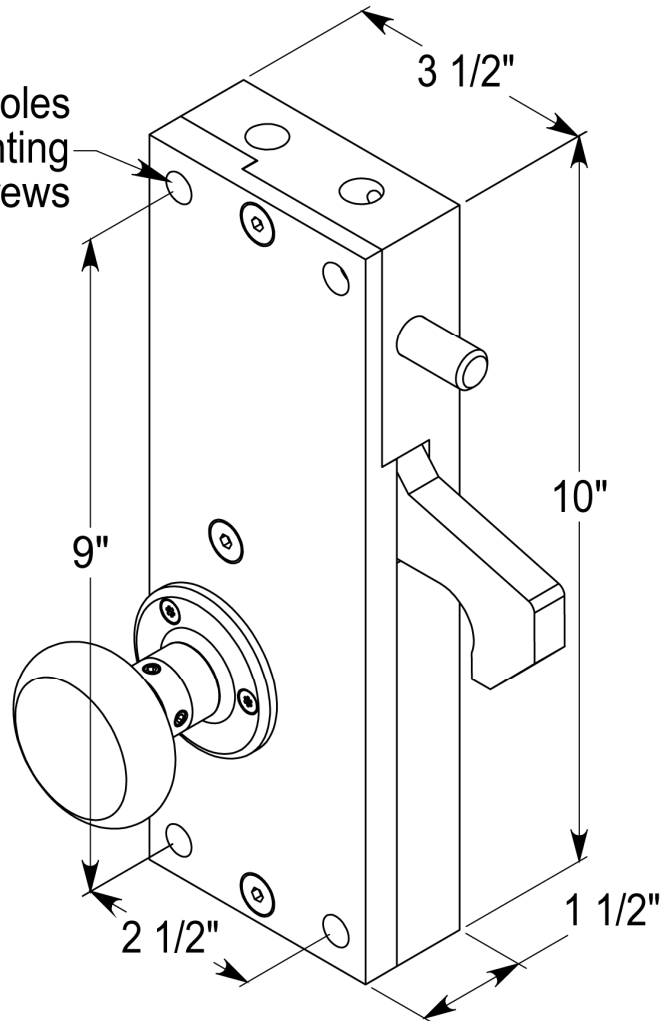
2511 Midpark Rd., Montgomery, AL 36109
Phone: (800) 466-3007 Fax: (334) 286-6421

Revised 12/01/2020

TECHNICAL SPECIFICATIONS

5030K

Clearance holes
for 3/8 mounting
screws



NOTE: This illustration is for information use only. Do not use for construction.

- **Case:** High strength alloy steel, bright zinc plated
- **Cover:** Cold rolled steel, bright zinc plated
- **Deadbolt (Hook Style):** 8620 HR steel bright zinc plated, hardened to Rc 60
- **Bolt Lift:** 5/8"
- **Bolt Size:** 1/2" thick
- **Dimensions:** 1 1/2" x 3 1/2" x 10"
- **Deadbolt Position Switch:** SPDT 15 amp @ 125 VAC, 500 ma @ 125 VDC. UL recognized.
- **ASTM F 1577 Lock Function P 310**

Warranty

Airteq warrants its products against defects in material or workmanship for one year from the time of delivery. Airteq's sole obligation under the warranty is to repair, or at its option, to replace the product. The buyer shall have no other remedy. (All special, incidental and coincidental damages are excluded.) Written notice of breach of warranty must be given to Airteq within the warranty period. The warranty does not cover damages resulting from improper installation or maintenance, accident or misuse. NO OTHER WARRANTIES AS TO MERCHANTABILITY OR OTHERWISE ARE MADE. A continuing product research program is ongoing. Airteq reserves the right to incorporate products and specification changes at any time without notice.